

Tokina

33X SUPER-MOTORIZED ZOOM LENS

TM33Z1540N f = 15-500mm F/4.0 3-Motors
 TM33Z1540NPN f = 15-500mm F/4.0 3-Motors With Preset

SPECIFICATIONS

| | | | |
|------------------------|---------------------------|-------------------------------------|--|
| MODEL NUMBER | TM33Z1540N / TM33Z1540NPN | | |
| IMAGE FORMAT | 1/2inch | | |
| FOCAL LENGTH | 15-500mm | | |
| MAXIMUM APERTURE | F1 : 4.0 | | |
| APERTURE RANGE | F1:4.0 - Close | | |
| M.O.D. | 2.9m | | |
| ANGLE OF VIEW ()=1/3" | HORIZONTAL | 23.185° - 0.747° (17.492° - 0.562°) | |
| | VERTICAL | 17.492° - 0.562° (13.164° - 0.423°) | |
| FILTER SIZE | M105mm, P=1.0 | | |
| DIMENSIONS | W122 x H125 x L267 | | |
| WEIGHT | 2.9Kg | | |
| OPERATING TEMPERATURE | -20°C ~ 60°C | | |
| MOUNT | C | | |

Electrical

| | IRIS | FOCUS | ZOOM |
|---------------------|------------------------|------------------|----------------|
| INPUT VOLTAGE | DC+6 ~ +12V | DC+6 ~ +12V | DC+6 ~ +12V |
| CURRENT CONSUMPTION | 50mA or Less | 50mA or Less | 60mA or Less |
| MOTORIZATION SPEED | Approx. 3 Seconds (6V) | 9.5 Seconds (6V) | 5 Seconds (6V) |

CABLE CONNECTIONS

• IRIS

| CABLE COLOR | POLARITY | DIRECTION |
|-------------|----------|--------------|
| Brown | + (-) | Close (Open) |
| Yellow | - (+) | |

• FOCUS

| CABLE COLOR | POLARITY | DIRECTION |
|-------------|----------|-------------|
| Black | + (-) | Inf. (Near) |
| Red | - (+) | |

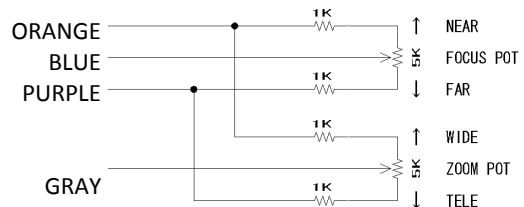
• ZOOM

| CABLE COLOR | POLARITY | DIRECTION |
|-------------|----------|-------------|
| Green | + (-) | Wide (Tele) |
| White | - (+) | |

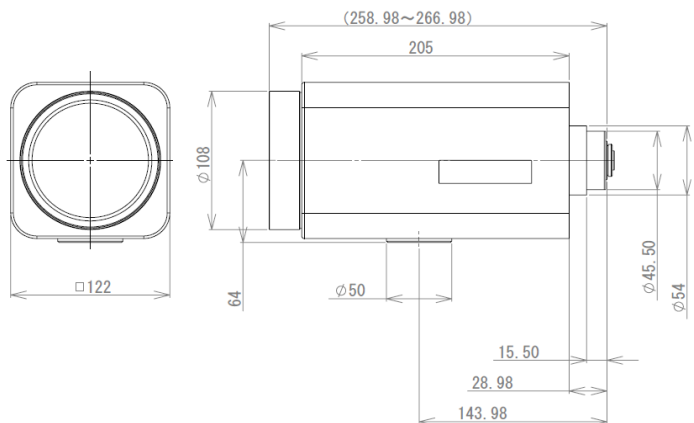
• POTENTIOMETER-PRESET (TM33Z1540NPN Only)

| CABLE COLOR | CONNECTION |
|-------------|-----------------|
| Orange | Pot. Supply |
| Gray | Zoom Pot. Wiper |
| Purple | Pot. Return |
| Blue | Focus Pot Wiper |

Wiring details for potentiometer-preset



APPERANCE



* Design and Specifications are subject to change without notice.