

### TM10Z8515AIR f = 8.5-85mm F1.5

#### SPECIFICATION

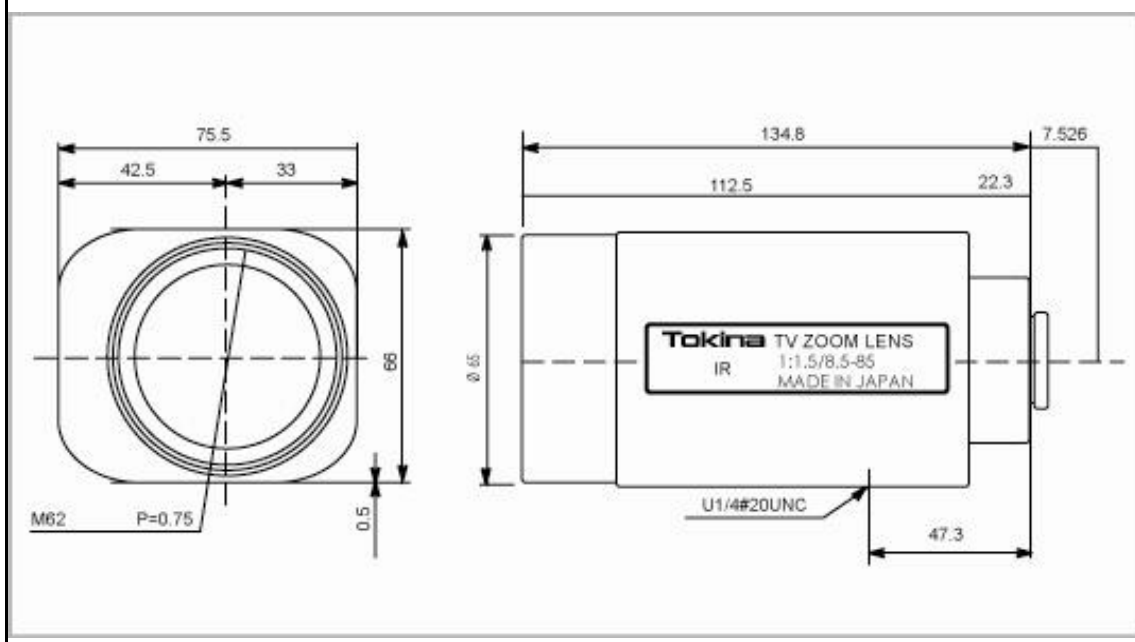
MODEL NUMBER		TM10Z8515AIR	
IMAGE FORMAT		1/2inch	
FOCAL LENGTH		8.5-85mm	
MAXIMUM APERTURE		F1.5	
APERTURE RATIO		F1.5-360	
BACK FOCAL LENGTH		14.65mm	
M.O.D.		1.5m	
OPERATION	IRIS	VIDEO AUTO IRIS	
	FOCUS	MOTORIZED	
	ZOOM	MOTORIZED	
WAVE LENGTH OF AVAILABILITY		430nm - 950nm	
ANGLE OF VIEW	DIAGONAL	W53.7°	T5.38°
	HORIZONTAL	W41.5°	T4.34°
	VERTICAL	W31.3°	T3.28°
FILTER SIZE		M62mm P=0.75	
DIMENSIONS		W75.5xH66.0xL134.8mm	
WEIGHT		690g	
OPERATING TEMPERATURE RANGE		-10°C~50°C	
OPERATING HUMIDITY RANGE		30%~70%	
MOUNT		C	

#### ●AUTO IRIS

INPUT VOLTAGE	DC+8V-16V
CURRENT CONSUMPTION	40mA OR LESS
INPUT SIGNAL	VS OR V SIGNAL
IRIS ACCURACY	±15% AT VIDEO SIGNAL LEVEL
SENSITIVITY	0.5~1.0Vp-p AT VIDEO SIGNAL LEVEL
RESPONSE SPEED	APPROX.3 SECONDS

#### ●FOCUS / ZOOM

INPUT VOLTAGE	DC+8V-12V
CURRENT CONSUMPTION	80mA OR LESS
MOTORIZATION SPEED	APPROX. 4-7 SECONDS



## ■ CABLE CONNECTION

### ● AUTO IRIS CABLE CONNECTION

RED	+V (8.5V-16V)
-	-
WHITE	VIDEO SIGNAL
BLACK	GROUND

### ● ZOOM

RED	(+V) ZOOM OUT (DC8V-12V)
GREY	(+V) ZOOM IN (DC8V-12V)

### ● FOCUS

YELLOW	(+V) FOCUS NEAR (DC8V-12V)
BLUE	(+V) FOCUS FAR (DC8V-12V)

DESIGN AND SPECIFICATIONS ARE SUBJECT TO CHANGE WITHOUT NOTICE