



EX stainless steel washer system

WP10EX

Stainless Steel reservoir and cabinet
10 litres reservoir capacity
For use in highly corrosive environments
Easy installation and maintenance
Explosion proof ATEX certified



■ WP10EX
Internal view

- The Tecnovideo WP10EX Washer System is composed by a 10 litre reservoir together with an explosion proof solenoid valve contained inside a stainless steel cabinet. It is designed specifically for Hazardous Area applications. The airtight reservoir is pressurized using an hand pump. After the tank is charged, the liquid is released by activating the explosion proof solenoid valve. The WP10EX pressurized tank is a high performance washer system, with high quality fittings and components designed to withstand tough use in harsh environment installations. The WP10EX is designed to be used with Tecnovideo products as well as with third party products.

TECHNICAL SPECIFICATIONS

MODELS

WP10EX 10 Litres tank*

* 5 Litres tank available upon request

GENERAL

Construction: AISI304 Stainless Steel*

* AISI316L available upon request

Hose Material: Black antistatic plastic

Max operating pressure: 4 bar

Operating temperature: -15°C to +60°C

Maximum delivery head: up to 20 metres with 4 bar pressure

Number of wash cycles: about 200-500 (depending on camera height, pressure, water level)

DIMENSIONS AND WEIGHT

Dimensions: See drawings next page

Weight: Unit weight (empty): 16 kg
Unit weight (full): 26 kg

Capacity: Up to 10 litres

Fluid outlet: 10 metres hose, 4 mm Bore Tube

ELECTRICAL

Input voltage: Available voltages: 24VAC, 110VAC, 230VAC (specify on order)

Power consumption: 10 W max*

* depending on different solenoid used

CERTIFICATIONS

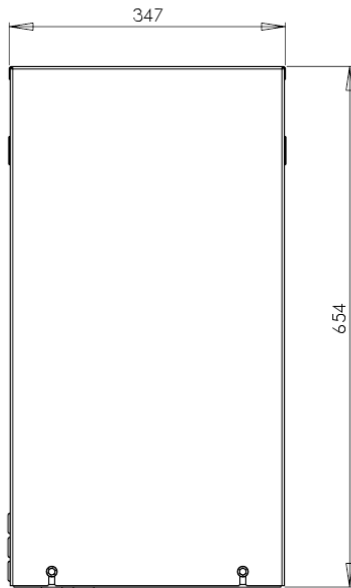
Weatherproof standard: IP65* (solenoid valve only; cabinet not rated)

Solenoid certification: ATEX II 2G EEx em T4*

* different solenoid certifications available upon request

Dimensions

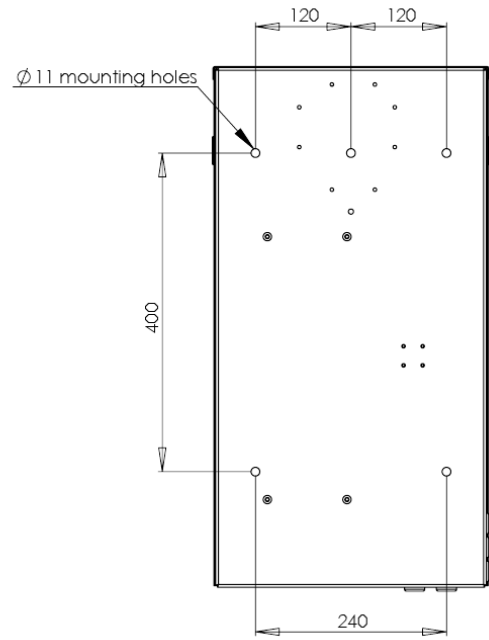
EXTERNAL FRONTAL VIEW



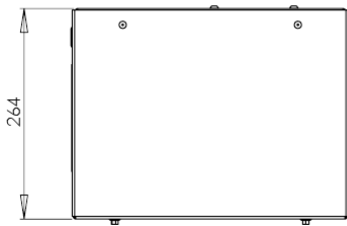
SIDE VIEW



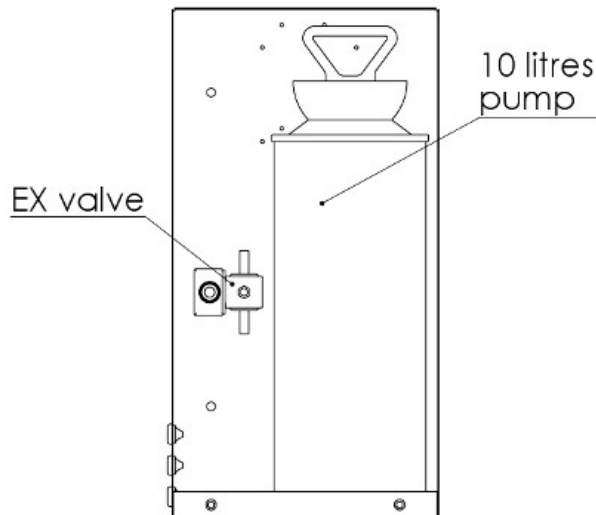
MOUNTING PATTERN



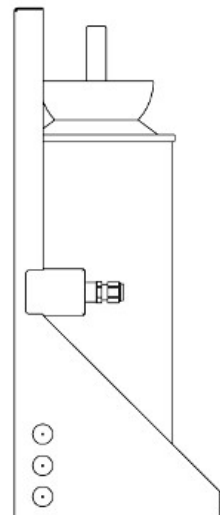
TOP VIEW



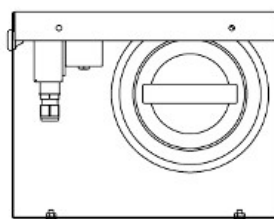
INTERNAL FRONTAL VIEW



SIDE VIEW



TOP VIEW



Dimensions in millimeters - Tolerances according QMS - Design and product specifications subject to change without notice