



Stainless steel cabinet washer system

- 5, 10 and 25 litres reservoirs capacities
- 10 and 15 m max delivery head pumps
- Easy installation and maintenance
- AISI304 Stainless Steel cabinet
- Weatherproof standard IP56
- Optional float switch

# WP-SSC Series



■ WP5-SSC  
Washer system with stainless steel cabinet

- When using a camera housing with wiper, an essential and very important part of the system is the washer tank with pump. Tecnovideo produces a wide range of water reservoirs with different pumping height capabilities. To protect the tanks, they're placed inside a stainless steel frame and a watertight plastic enclosure that contains the power supply for the self-priming submersible pump located inside the tank. 5, 10, 25 litres tanks are available with 10 and 15 metres max delivery head and different supply voltages, to meet every installation requirement.

## TECHNICAL SPECIFICATIONS

### DIMENSIONS AND WEIGHT

#### Dimensions

See drawings next page

#### Weight [kg]

Model	Unit	Package
WP5	14	15
WP10	14	15
WP25	14	15

### ELECTRICAL

#### Input voltage

Standard 24 or 240 VAC (upon request: 110 VAC, 24 VDC)

#### Power consumption [W]

Model	Power consumption
10 metres pump	70
15 metres pump	120

### CERTIFICATIONS

IP56 standard (plastic junction box)

### MODELS

WP5-10m-SSC	5 Litres tank, 10 metres delivery head
WP10-10m-SSC	10 Litres tank, 10 metres delivery head
WP25-10m-SSC	25 Litres tank, 10 metres delivery head
WP25-15m-SSC	25 Litres tank, 15 metres delivery head

### GENERAL

#### Cabinet Construction:

AISI304 Stainless Steel<sup>1</sup>

<sup>1</sup> AISI316L available upon request

#### Tank Material

Polyethylene high density and molecular weight (HDPE HMW) highly resisting to chemical products

#### Hose Material

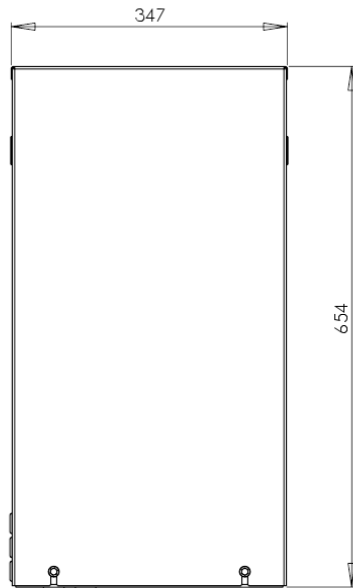
EPDM black rubber 4x6mm diameter

### OPTIONAL ACCESSORIES

- Nozzle for wiper camera housings
- 24V~ control interface board (suitable for RX250DC telemetry Rx)
- Open Collector control interface board
- Float switch and empty tank alarm output
- IP66 rated plastic junction box

# Dimensions

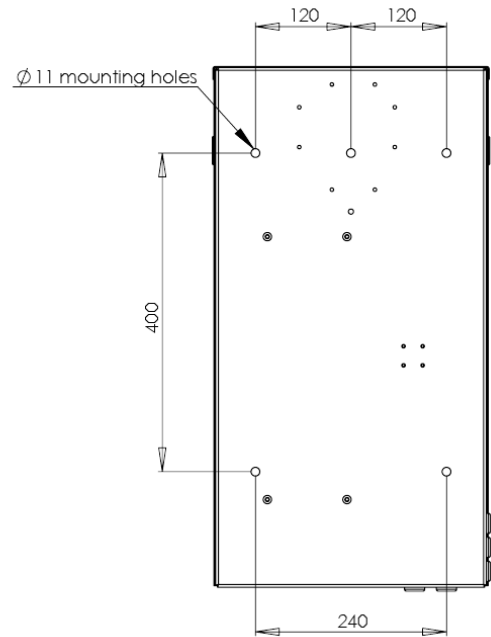
**EXTERNAL FRONTAL VIEW**



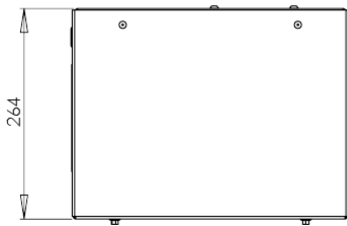
**SIDE VIEW**



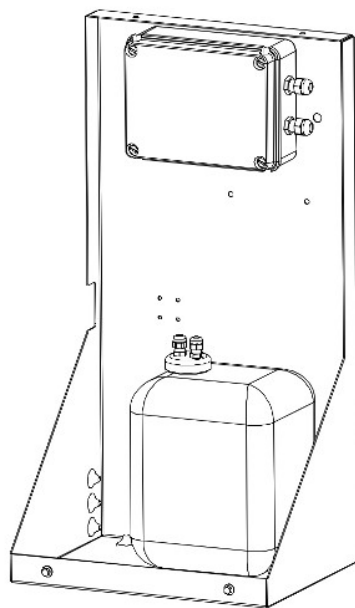
**MOUNTING PATTERN**



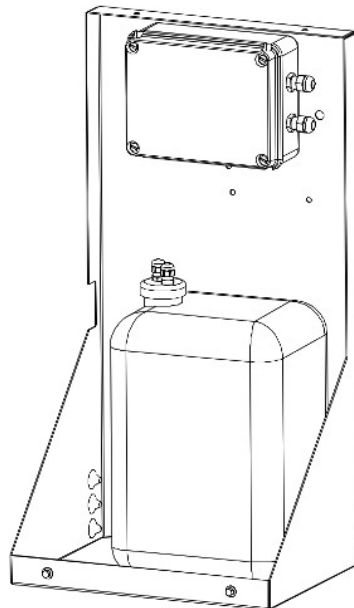
**TOP VIEW**



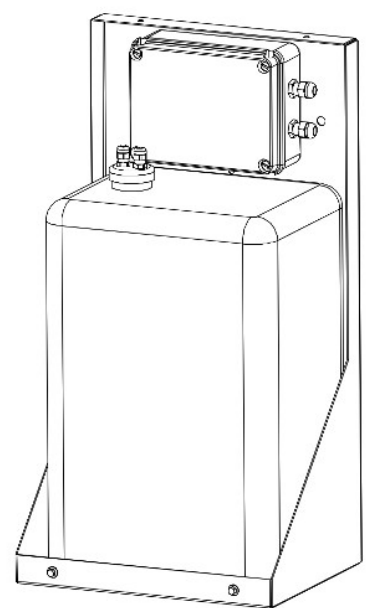
**INTERNAL VIEW: position of the Reservoir and of the Junction Box**



WP5-SSC



WP10-SSC



WP25-SSC

Dimensions in millimeters - Tolerances according QMS - Design and product specifications subject to change without notice