

Heavy Duty Stainless Steel Pan & Tilt Unit

# VSPT250HD

AISI316L Stainless Steel construction  
For use in highly corrosive environments  
Ideal for 254 Series Extra-large housings  
Easy installation and maintenance  
Suitable for heavy loads



■ VSPT250HD  
Heavy Duty Pan & Tilt unit

- VSPT250HD Heavy Duty AISI316L stainless steel Pan & Tilt unit is a reliable solution to move extra-large size lenses and optics installed inside large camera housings. This unit is the perfect solution for harsh environments, such as Marine (offshore plants, harbours, boats, coastal surveillance, etc.) and in general wherever corrosive environmental conditions require corrosion-proof reliable equipment. The VSPT250HD is designed to be the perfect companion for the 254 Series extra-large camera housings. Customisation is available upon request.

## TECHNICAL SPECIFICATIONS

### MODELS

VSPT250HD Heavy duty variable speed Pan & Tilt unit

### GENERAL & MECHANICAL

<b>Construction:</b>	AISI316L Stainless Steel
<b>Finish:</b>	Electro-polished
<b>Operating Temperature:</b>	-20° +55°C (-4° +131° F)
<b>Dimensions:</b>	See drawings next page
<b>Pan Angle:</b>	360° Max (+/- 180°)
<b>Pan Speed:</b>	0 – 6°/second
<b>Pan Torque:</b>	240 Nm
<b>Tilt Angle:</b>	180° Max (-90° + 90°)
<b>Tilt Speed:</b>	0 – 3°/second
<b>Tilt Torque:</b>	320 Nm
<b>Backlash:</b>	<0.1°
<b>Maximum load:</b>	50 kg
<b>Weight:</b>	35 kg
<b>Mounting:</b>	4xØ11 on 220 mm PCD

### Rotation Angle:

Electronically set via RX250DC telemetry receiver (available as optional).

### Cable entries:

2 M20x1,5 cable entry. Different cable entries are available to meet every installation requirement.

### CERTIFICATION

**Weatherproof standard:** IP67  
CE Compliant

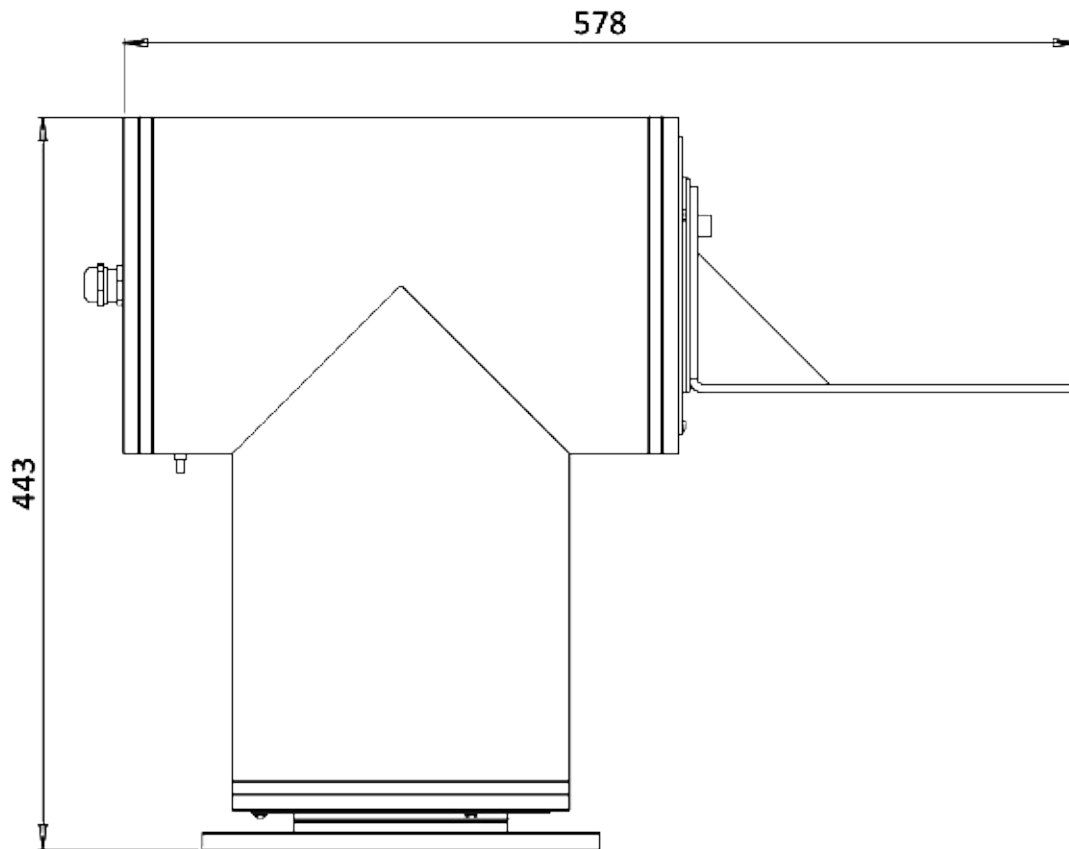
### ELECTRICAL

**Supply voltage:** 24 VAC  
**Power consumption:** 80 W Max

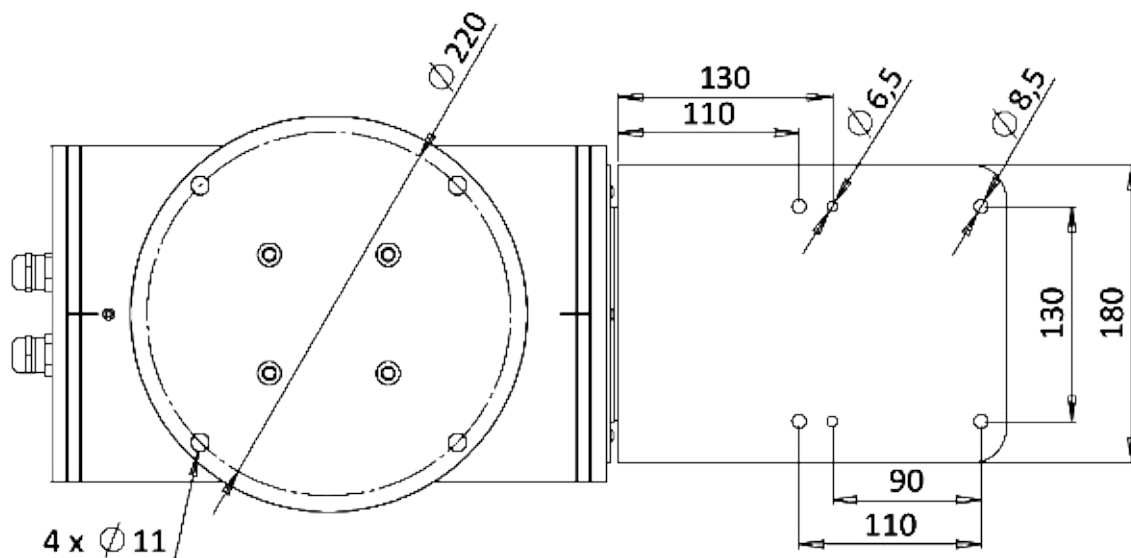
Contact us for further information.

# Dimensions

FRONTAL VIEW



BOTTOM VIEW



Dimensions in millimeters - Tolerances according QMS - Design and product specifications subject to change without notice