

## Stainless Steel Camera Housing

# 168 Series

AISI316L Stainless Steel construction  
For use in highly corrosive environments  
Easy installation and maintenance  
Wiper version available  
Weatherproof standard IP67  
Refined and modern design



■ 168WW + SSBK168  
Housing with wash wiper and wall mounting bracket

- Harsh environments may seriously damage delicate electronics and optical parts of cameras and lenses. To avoid this problem, the best solution is a stainless steel camera housing.

Tecnovideo created a line for the wide range of cameras and other similar applications which are too large for 129 Series and too small to require 204 Series.

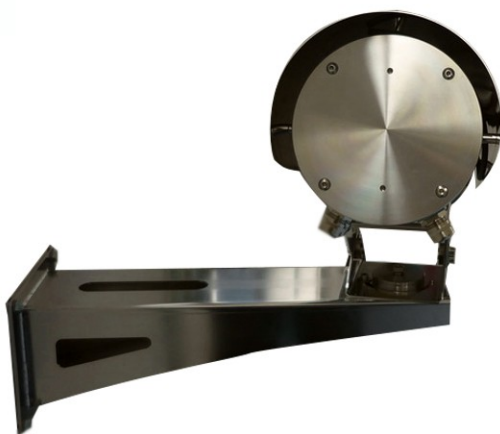
This line of housings is the 168 Series: a set of camera housings made in stainless steel to completely guarantee an absolute protection from aggressive external agents.

This housing is built in AISI316L stainless steel and has a modern and refined look, which allows this product to be the best choice for every ambient condition.

The 168 Series can be brought with many variations and optionals.

Available accessories and versions:

- Sunshield and thermostatically controlled heater
- Wiper system
- Germanium front windows available for thermal imaging cameras
- Liquid cooling system (168 LC Series)
- A full range of washer tanks (WP and WP-SSC Series)
- Variable speed Pan & Tilt unit (VSPT250 Series)
- SSBK168: wall mounting bracket with swivel joint
- SSPM168: pole mount adapter



■ 168SH  
Rear view

# Technical Specifications

## MODELS

168 <sup>1</sup>	Housing (Length=500mm)
168SH <sup>1</sup>	Housing (500mm) + Sunshield + Heater
168WW <sup>2</sup>	Housing (500mm) + Sunshield + Heater + Wiper
168IR70 <sup>3</sup>	Housing (500mm) UW: 70
168SHIR70 <sup>3</sup>	Housing (500mm) UW: 70 + Sunshield + Heater
168WWIR70 <sup>3</sup>	Housing (500mm) UW: 70 + Sunshield + Heater + Wiper
168IR110 <sup>3</sup>	Housing (500mm) UW: 110
168SHIR110 <sup>3</sup>	Housing (500mm) UW: 110 + Sunshield + Heater
168WWIR110 <sup>3</sup>	Housing (500mm) UW: 110 + Sunshield + Heater + Wiper

- <sup>1</sup> Usable front window diameter: 130 mm; thickness 5mm.  
<sup>2</sup> Usable front window diameter: 104 mm, vandal resistant glass 12mm thickness.  
<sup>3</sup> UW=Usable window diameter; Germanium window, thickness 3 mm, AR/DLC coating.

**Note:** we are ready to fulfil any particular request such as different housing length or different glass diameter

## GENERAL & MECHANICAL

**Construction:** AISI316L Stainless Steel  
**Finish:** Electro-polished  
**Operating Temperature:** -20° +55°C (-4° +131° F)  
**Dimensions:** See drawings next page

### Weight [kg]

Model	Unit	Package
168	9	11
168SH	11	13
168WW	12	14

### Cable Entry:

4 M20x1,5 nickel plated brass cable glands (included). Standard cable diameter 6-10mm. Different cable entries are available to meet every installation requirement.

## ELECTRICAL

### Thermostatically controlled Heater:

**T[°C] ON = 15 ± 4°C, T[°C] OFF = 23 ± 3°C**

Available voltages: 24VDC, 24VAC, 110VAC, 240VAC (specified at order)

Power consumption: 15W

### Wiper:

Available voltages: 24VDC (4W), 24VAC (6W), 110VAC (6W), 240VAC (6W) (specified at order)

## CERTIFICATIONS

**Weatherproof standard:** IP67

CE Compliant

## RECOMMENDED MOUNTING ACCESSORIES

SSBK168	AISI316L Stainless Steel wall mounting bracket with swivel joint
SSPM168	AISI316L Stainless Steel Pole Mount adapter
VSPT250	AISI316L Stainless Steel Pan & Tilt unit, variable speed

## RECOMMENDED SPARE PARTS AND ACCESSORIES

WB168	Complete wiper blade assembly
WBK168	Wiper blade spare part (only rubber blade and support)
HK168	Heater Kit 15W (24VDC, 24VAC, 110VAC or 240VAC available)
MK168	Maintenance Kit with O-ring seals, screw seals, screws, hex keys, desiccant bags.

## RECOMMENDED WASHER PUMPS

A wide range of water reservoirs with different pumping height capabilities is available.

### WP Series (tanks with stainless steel frame)

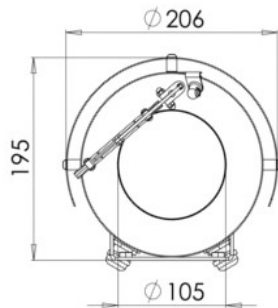
WP5-5m	5 Litres tank, 5 metres delivery head
WP5-10m	5 Litres tank, 10 metres delivery head
WP10-5m	10 Litres tank, 5 metres delivery head
WP10-10m	10 Litres tank, 10 metres delivery head
WP25-5m	25 Litres tank, 5 metres delivery head
WP25-10m	25 Litres tank, 10 metres delivery head
WP25-15m	25 Litres tank, 15 metres delivery head

### WP-SSC Series (tanks with stainless steel cabinet)

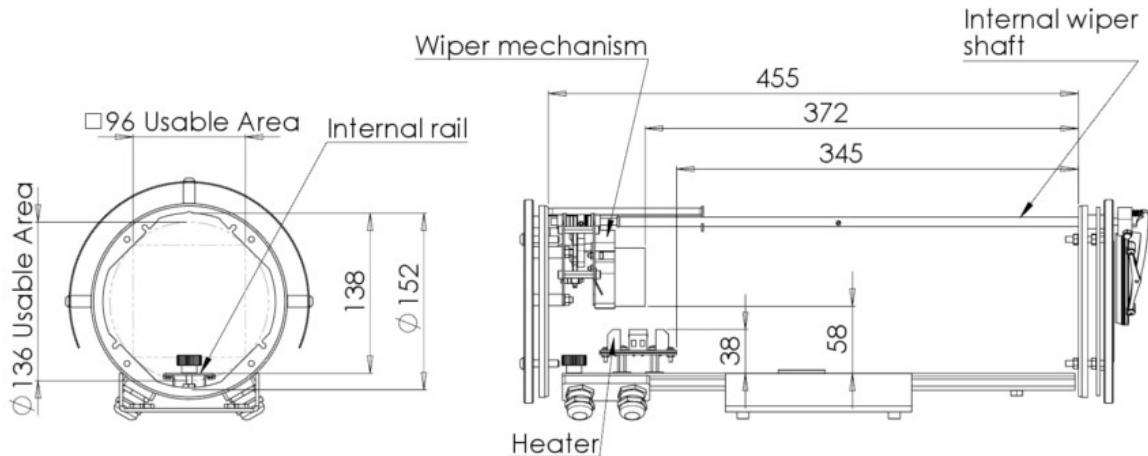
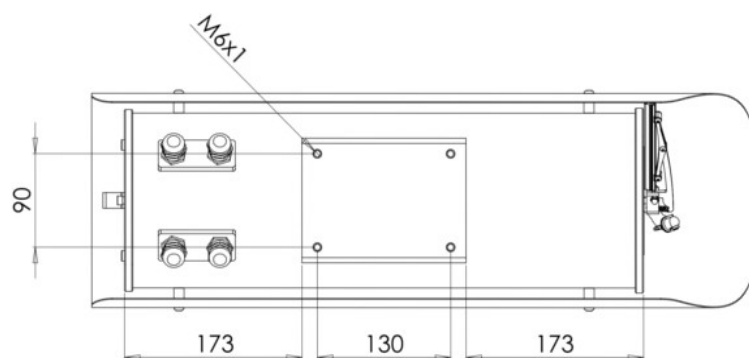
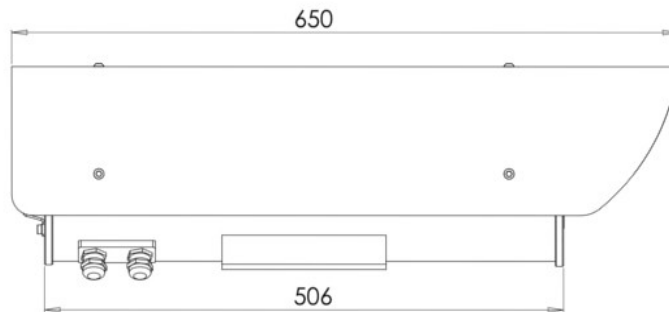
WP5-10m-SSC	5 Litres tank, 10 metres delivery head
WP10-10m-SSC	10 Litres tank, 10 metres delivery head
WP25-10m-SSC	25 Litres tank, 10 metres delivery head
WP25-15m-SSC	25 Litres tank, 15 metres delivery head

# Dimensions

**FRONTAL VIEW**



**SIDE VIEW**



Available measures for "A"

A = **130** mm for 168 and 168SH

A = **104** mm for 168WW

A = **110** mm for 168IR110 models (germanium window)

A = **70** mm for 168IR70 models (germanium window)