



Smart card reader

A stylish and fully featured MIFARE® proximity reader from TDSi. eXsmart is a cost-effective serial MIFARE® proximity card reader in a tough, encapsulated polycarbon housing. All of the main industry standard output formats are supported allowing direct connection to all of the current range of TDSi controllers and also connection to all other standard access control units.

Features of the eXsmart MIFARE®

- Discrete, elegant design
- Fully encapsulated design for maximum water and dust ingress protection
- Integral indication LEDs and sounder
- Wide range of output options
- Compatible with ISO 14443-A standard for 13.56 MHz contactless Smartcard technology



Benefits of the eXsmart MIFARE®

- Excellent value for money
- Good read range and excellent reliability
- Versatile technology - one single MIFARE® card can be used for several applications
- Unambiguous audible and visual indication of card reads and access status maximises user confidence
- Compatible with all standard access control systems

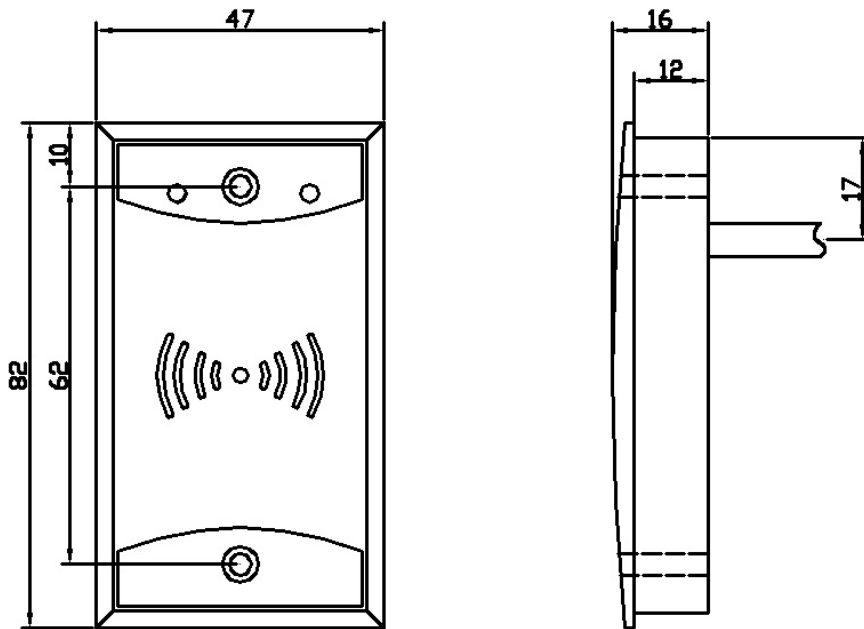
eXsmart MIFARE®



w: tdsi.co.uk
e: sales@tdsi.co.uk
t: +44(0)1202 666222



Smart card reader



Technical Data

Dimensions	83 x 47 x 16 mm
Weight	150 g
Operating environment	-10°C to +60°C, 0 to 95 %RH (non-condensing)
Power supply	5 to 18 VDC, 150mA
Operating frequency	13.56 MHz
Card technology	ISO 14443-A: MIFARE® Ultralight MF0 ICU1, MIFARE® Standard MF1 ICS50, MIFARE® 4k MF1 ICS70, MIFARE® DESFire MF3 ICD40
Sounder	Integral with external control
LEDs	1 bi-colour (red/green) with independent external control
Read range	<50 mm
Output formats	Magnetic stripe, 26-bit Wiegand, Serial ASCII (RS-232)

Ordering Information

Part No:	Product Description:
5012-0060	eXsmart MIFARE® serial card reader

eXsmart MIFARE®



Q05134