

# indoor dome IP camera



## H.264 Megapixel Indoor Dome IP Camera

D1 at full frame high quality and performances H.264 compression networking camera. contains high quality CMOS sensor. The camera includes TDSI's Video Analytic solution as standard.

# indoor dome IP camera

DS0106\_Issue 1

## SPECIFICATIONS

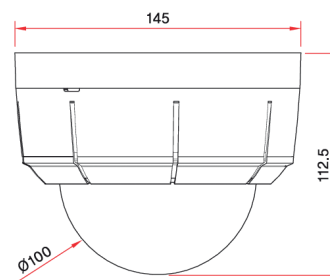
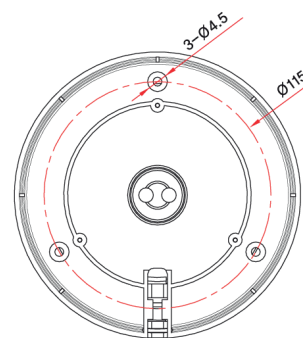
TDSi Part No.	5012-0314
<b>Camera Module</b>	
Image Sensor	Aptina (Micron) 1/3" (4:3) CMOS 2M
Effective Pixels	1600 x 1200 (UXGA, 2M)
Scanning System	Progressive Scan
Dynamic Range	71dB
Minimum Illumination	0.5 Lux(50IRE), 0.1 Lux(DSS x5 ON)
Lens	3.3 ~ 12 mm Vari-Focal, Fixed Iris
Day & Night S/W	S/W
<b>Video</b>	
Compression Format	H.264, MPEG-4, MJPEG
Number of Streams	Dual Stream, Configurable
Resolution	D1, VGA, QVGA, 4CIF, 2CIF, CIF, QCIF, XGA, HD720, SXGA, UXGA
Compression FPS <i>(FPS can be reduced when using VCA or Burnt In Annotation)</i>	<b>H.264:</b> 5 FPS @ UXGA (1600 x 1200); 8 FPS @ SXGA (1280 x 1024); 12 FPS @ HD720 (1280 x 720); 15 FPS @ XGA (1024 x 768) or D1 (720 x 480) <b>MPEG-4:</b> 15 FPS @ D1 (720 x 480) <b>MJPEG:</b> 15FPS @ UXGA
De-interlacing	Optional (On / Off)
Motion Detection	Built-in (DSP)
Burnt-in Text	Video stream overlay text (DSP)
<b>Audio</b>	
Input	1 channel
Output	1 channel
Compression Format	G.711
<b>Function</b>	
Network	10 / 100 Base-T
Protocol	TCP/IP, UDP/IP, HTTP, RTSP, RTCP, RTP/UDP, RTP/TCP, SNMP, mDNS, UPnP, SMTP, SOCK, IGMP, DHCP, FTP, DDNS, SSL v2/v3, IEEE 802.1X, SSH
Users	WEB access, up to 20 simultaneous user, depending on resolution settings - Unicast, Multicast - Unlimited
<b>Electrical</b>	
Power Source	12V DC
Power over Ethernet	Support (IEEE 802.3af)
Power Consumption (Approx)	300mA @ 12V DC
<b>Environmental</b>	
Operating Temperature	0°C ~ 50°C (32°F ~ 122°F)
Operating Humidity	Up to 85% RH (Non-condensing)
<b>Mechanical</b>	
Material	Polycarbonate
Color	White
Dimension	Housing: 145( ) x 113(H) mm, Dome: 100 ( ) mm
Weight (Approx)	520g
<b>Primary Intelligent Video Analytics (Included as Standard)</b>	
High Performance	Advanced Tracking Algorithm, Low False Alarm Rate
Easy to Use	Intuitive Web Browser Interface
Detection Zones	Multi-segment Polygons and Lines
On-screen Display	Real-time Display of Tracking Data and Events
Camera Shake Cancellation	Improves VCA performance with cameras that are prone to shake
Tamper Detection	Detect camera tampering
<b>Advanced Intelligent Video Analytics (Option)</b>	
Detection Behavior	Direction, Stopping, Loitering, Entering, Exiting, Appear, and Disappear Filters, Abandoned/Removed Object Detection, Tailgating Detection
3D Behavior	Perspective Corrected Size and Speed Filters
Statistics	Counting Functions and Other Statistics
Meta Data	Binary XML Format

## FEATURES & BENEFITS

- H.264 D1 25/30 FPS**
- Video Compression: H.264, MPEG-4, MJPEG**
- Dual Stream**
- Enhanced Deinterlacing on DSP**
- Embedded Intelligent Video Analytics**
- Burnt-in Text, Video Motion Detection Support**
- 2-way Audio**
- Remote Firmware Upgrade over the network**
- Comprehensive SDK Support**

## ORDERING INFORMATION

Part Number: 5012-0314



(unit: mm)



**TDSi UK**  
Unit 10 Concept Park,  
Innovation Close,  
Poole,  
Dorset BH12 4QT  
United Kingdom  
t: +44 (0)1202 723535  
f: +44 (0)1202 724975  
e: sales@tdsi.co.uk

**TDSi France**  
Immeuble ATRIA,  
2 rue du Centre  
93160 NOISY LE GRAND,  
France  
t: +33 (0)1 58 84 20 90  
f: +33 (0)1 58 84 20 91  
e: infos@tdsi-france.com

**TDSi China**  
Rm 103, 1 Bld,  
Shangsha Innovation Science  
& Technology Park,  
9283 Binhai Road,  
Futian District,  
Shenzhen 518048,  
P.R.China  
t: 86-755-82535725,  
82535720  
f: 86-755-82535770  
e: tdsiinfo@microgarde.com.cn