

*Mini Dome Camera*

# DCV12

**TelePhoto**

**3.8-45.6mm\***

**12X** (5-60mm for 1/3 inch)

**High  
Resolution  
540 TV Lines**



**Speedy  
Installation**

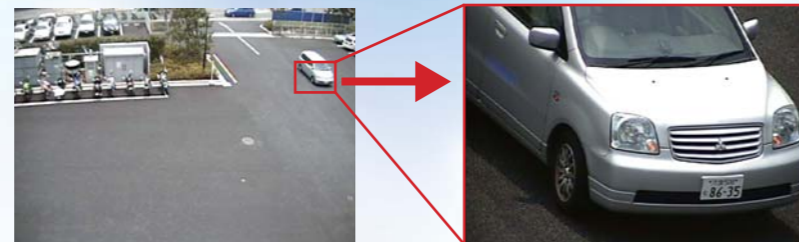
- ▶ Day & Night
- ▶ Vandal Resistance / IP66
- ▶ UL Listed
- ▶ Manual Triple Axis (Pan / Tilt / Rotation)
- ▶ Install AF Mode
- ▶ RS485 Remote
- ▶ 24VAC / 12VDC Power

\*Lens Specification

# DCV12 Mini-Dome Camera with Built-In High-Performance Tamron Lens Provides High Quality Images

## Telephoto 3.8-45.6mm – 12X Zoom Power ★ Lens specification

Tamron DCV12 features a 12X zoom lens that offers the world's best magnification power on a mini dome camera. Its versatile range covers a variety of scenes from 3.8mm wide angle to 45.6mm telephoto, equivalent to 5-60mm in the 1/3-inch format. This mini dome camera with a powerful built-in zoom lens is essential for outdoor surveillance.



Wide: 3.8mm (1/3 inch:5mm)

Tele: 45.6mm (1/3 inch:60mm)

**12X Zoom!**

## High Resolution

- Equipped with a 1/4-inch 380K CCD for NTSC model (440K for PAL model)
- Realizes 540 TV lines horizontal resolution
- Advanced optical design for high resolution performance
- Multiple-layer coatings to minimize ghosting and flare



## Speedy Installation

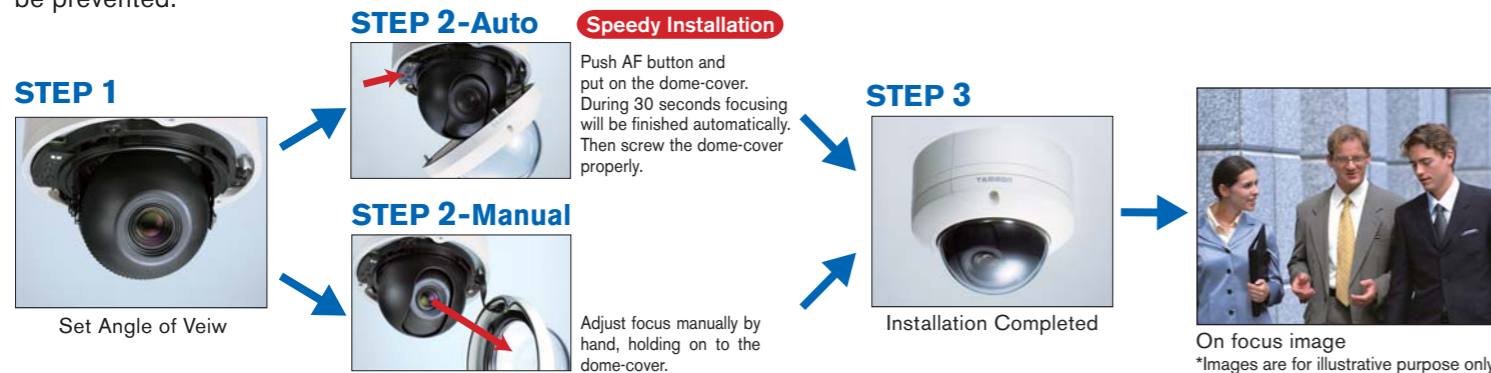
### Manual Triple-Axis Adjustment (Pan/Tilt/Rotation)

Manual Triple-Axis Adjustment mechanism that allows panning (+/- 360 degrees from right to left and left to right), tilting (+/- 80 degrees up/down, +/- 70 degrees at the wide-end setting) and rotation (+/- 360 degrees) ensures your ability to set the optimum viewing angle or angle of view.



### Simple and Speedy Lens Adjustments

As the lens is motorized, lens adjustments can be made quickly with an operating button. In addition, since the camera features an Install AF Mode designed to perform continuous auto-focusing for 30 seconds after dome cover installation, defocusing after installation can be prevented.



### Rotation Mechanism for Ultimate Ease-of-Use and Smooth Operation

The rotation mechanism has a grip for ultimate ease-of-use and smooth operation. Markings on the rotating portion indicate the correct screen position, allowing you to precisely set horizontal alignment on the monitor.



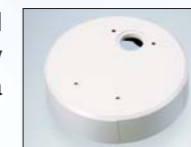
### Service Monitor Output Terminal

A service monitor output terminal is provided near the operating button so the camera can be connected to a monitor via the conversion cable supplied as a standard accessory. This simplifies confirming a desired angle of view at the installation site.



### Supports Gang-Box Installation (For Wall-Mount)

Screw holes are provided on the Wall-Mount for easy installation of the camera in a Gang-Box.



### Three Screw Holes to Mount Dome Cover

Quicker mounting of the cover with three screw holes as compared to other products using four screw holes.



### Rubber Strap to Prevent Dome Cover from Falling



## Outdoor Specifications

- Vandal-Resistant design protects the camera
- Watertight/Dustproof design (IP66) for installation outdoors such as under eaves
- Supports Day/Night applications for 24/7 surveillance
- Ceiling-Mount for discreet installation
- Wall-Mount for flush wall mounting or when mounting in a Gang-Box

## Other Features

- OSD (On Screen Display) Support
- Backlight Compensation
- Privacy Zone Masking (Max 8 area)
- RS485 for remote control
- 24 VAC / 12 VDC Power (Auto sensing dual voltage input)
- Internal Sync / Line Lock (at AC24, 60Hz)
- ESC (Electronic Shutter Control, Auto / Fix)
- AGC (Automatic Gain Control, OFF / 24dB / 32dB)
- White Balance (ATW / AWC / MANUAL)
- Camera Text function (Max 16 characters)
- Detachable Inner Cover to hide camera direction
- UL, FCC, CE, C-tick

## Mini Dome Camera Lineup

### Ceiling-Mount

DCV12NR4 (NTSC)  
DCV12PR4 (PAL)



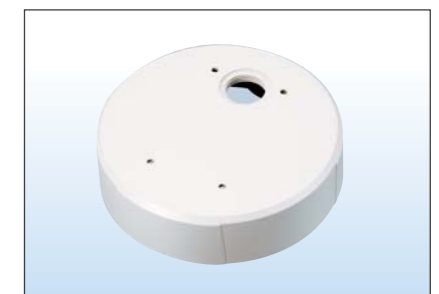
### Wall-Mount

Wall-Mount Adaptor sold separate.

DCV12NR4 (NTSC)  
DCV12PR4 (PAL)



Model BTMDCV12  
(Wall-Mount Adaptor)



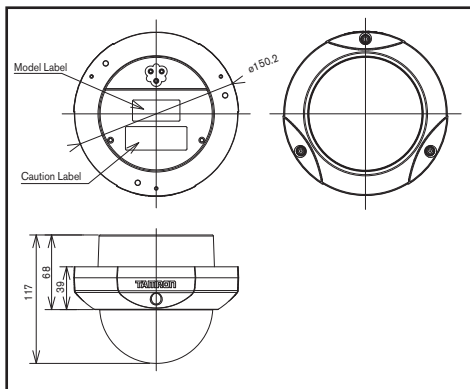
# SPECIFICATION

DCV12NR4 (NTSC)

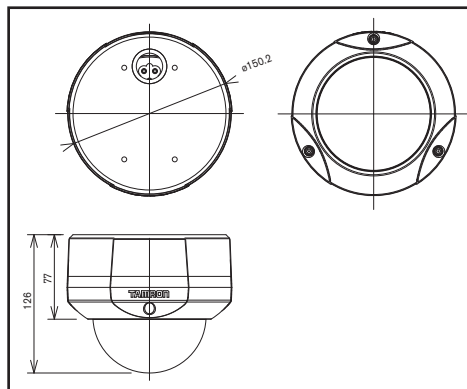
DCV12PR4 (PAL)

Camera		
CCD Image Sensor	1/4 inch CCD	
Effective Picture Element	380K pixels 768 (H) x 494 (V)	440K pixels 752 (H) x 582 (V)
TV System	NTSC : 525 line 2:1 Interlance, 15.734 KHz Horizontal, 59.94 Hz Vertical	PAL : 625 line 2:1 Interlance, 15.625 KHz Horizontal, 50 Hz Vertical
Video Output	1.0V (p-p), 75Ω	
Sync System	INT (Internal) / LL (Line Lock)	
Horizontal Resolution	540TV Lines (typ: Wide, Center)	
S/N Ratio	more than 50dB	
Minimum Illumination	0.83lux : color    0.16lux : B/W *at 50IRE (AGC 32dB, Electronic Shutter 1/60, IRIS LEVEL 00, WIDE)	
Day / Night	AUTO / MONO / COLOR / IR LAMP	
Auto Focus	INSTALL / ONEAF / MANUAL	
Electronic Shutter	AUTO, 1/60, 1/100, 1/250, 1/500, 1/1K, 1/2K, 1/4K, 1/10K, 1/100K	AUTO, 1/50, 1/120, 1/250, 1/500, 1/1K, 1/2K, 1/4K, 1/10K, 1/100K
Auto Gain Control	OFF / NORMAL (24dB) / TURBO (32dB)	
Backlight Compensation	OFF / BLC1 / BLC2 / BLC3 / BLC4	
White Balance	ATW / AWC / MANUAL (R:64, B:64 steps)	
Mirror	ON / OFF	
Privacy Zone	Max 8 area	
Communication	RS-485	
Lens		
Zoom Magnification	12X	
Focal Length	3.8mm ~ 45.6mm	
Aperture Ratio	1.6 (Wide) ~ 2.7 (Tele)	
Angle of view degrees	(Horizontal) 4.49 (Tele) ~ 52.8 (Wide) / (Vertical) 3.40 (Tele) ~ 39.7 (Wide)	
Minimum Focus Range	1.87m (Tele)	
Mechanism		
Anti Vandal	Vandal Resistance	
Water & Dust Resist	IP66	
Angle Control	Manual 3-AXIS	
Range degrees	Pan: 360 deg / Tilt: 80 deg (Tele) 70 deg (Wide) / Rotation: 360 deg	
General		
Power Requirement	24VAC / 12VDC ± 10%	
Power Consumption	Max approx. 6.5W	
Temperature Range	Operation : -10 ~ +50°C / Preservation : -20 ~ +60°C	
Humidity Range	Operation : 20 ~ 90% / Preservation : 20 ~ 95%	
Weight	1.1Kg (Ceiling-Mount) / 1.4Kg (Wall-Mount)	
Safety, Ratio STD	UL Listed (UL2044 / cUL)    FCC / B (D.O.C)	CE class B    C-tick
Accessory includes	Manual / Guide Pattern / Conversion Cable for Service Monitor / Wrench / Plastic Anchor / Screw	

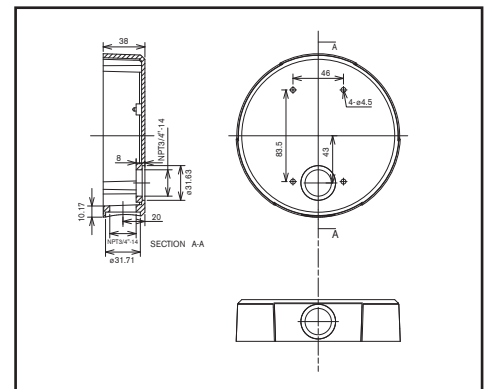
## • Ceiling-Mount



## • Wall-Mount



## • Wall-Mount Adaptor



\*Size with Wall-Mount Adaptor.

**Caution :** Please read the instruction manual carefully before using the camera.

# TAMRON®

Manufacturer of precise and sophisticated optical products for a broad range of industries.



**Quality Assurance Activities:** At Tamron, quality management activities are performed in compliance with ISO9001:2000 not only to assure product quality but to enhance customer satisfaction.

**Environmental Protection:** We recognize the significance of our social responsibilities. Tamron promotes corporate activities that protect the earth's environment through the establishment of a quality assurance system that is compliant with ISO14001.

TAMRON USA, INC. <http://www.tamron.com>

10 Austin Boulevard, Commack, NY 11725, USA Tel: +1-631-858-8400 Fax: +1-631-543-3963

Specifications subject to change without notice 2007,11

DCV12-US-112-U-0711-0030