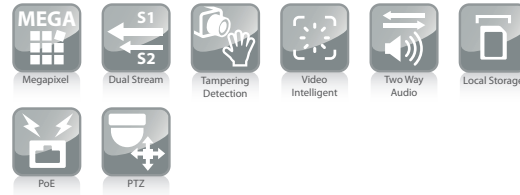


# CAM5130

## 10x Zoom CCD Day&Night PTZ Dome Network Camera



- 1/4" Mintron CCD Sensor
- Up to 704 x 576 Video Resolution
- H.264/MPEG4/MJPEG 2 Simultaneous Video Streams
- Motion Detection and Tampering Detection
- SD/SDHC Local Storage for Alarm Capture
- Power over Ethernet (IEEE 802.3af)
- Day/Night Function with IR-Cut Filter
- 10X Optical Zoom



### Product Specification

Camera	
Image Sensor	1/4" D1 Mintron CCD (Sony Chip)
Lens	4.2 - 42 mm varifocal lens, F1.8 (wide) - F2.9 (telephoto), 10X zoom
WDR	N/A
Day/Night ICR	Yes
IR LED	N/A
Min Illumination	0.07 Lux @ F1.8 (AGC on B/W)
Iris Control	N/A
Shutter Time	1/5 ~ 1/15,000 s
Viewing Angle	Diagonal: 56.4°~6.1° Horizontal: 46.4°~4.9° Vertical: 35.6°~3.7°
Camera Angle Adjustment	Pan: 360°, 1° ~ 200°/s Tilt: -5° ~ +90°, 1° ~ 120°/s
Pan/Tilt/Zoom Functionalities	1. Over 10 levels selection of various speed 2. Fast positioning with stable compact mechanism 3. Superior accuracy and reliability 4. 10x optical zoom and 10x digital zoom, total 100x zoom
Video	
Video Compression	H.264/MPEG-4/MJPEG
Resolution	Up to 704 x 480 (NTSC) Up to 704 x 576 (PAL)
Frame Rate	30 fps at D1 (704 x 480) 30 fps at VGA (640 x 480) 30 fps at QVGA (320 x 240) 30 fps at QQVGA (160 x 120)
Video Stream	Dual stream at H.264, MPEG-4, and MJPEG simultaneously
Bit Rate	32K ~ 10Mbps, VBR, CBR, controller frame rate and quality
Video Control	AGC (Auto Gain Control), AWB (Auto White Balance), BLC (Back Light Compensation), Image adjustment, Privacy zone: On/Off (8 zones)
Intelligent Video	Motion detection, tampering detection (blocked, redirected, defocused, or spray-painted)
Video Jack	N/A
Audio	

Built-in MIC	Yes
Audio Compression	32KHz, ADPCM
Audio Input/Output	3.5mm phone jack

I/O and Event Management	
Alarm In	1, terminal block
Alarm Out	1, terminal block
Video Buffer	5 second pre-alarm, 30 second post-alarm
Event Action	Send snapshot or video clip by FTP or email, record to NAS, record to local storage, trigger DO

Network	
Supported Protocols	IPv4, ARP, TCP, UDP, ICMP, DHCP, NTP, DDNS, SMTP, FTP, HTTP, CIFS, PPPoE, UPnP, RTP, RTSP, RTCP, 3GPP
Ethernet	10/100 Base-T / RJ45

System	
Local Storage	SD/SDHC x 1 (Class 4/Class 6 only)
RS-485	N/A
USB	USB 2.0 x 1
SDK	Surveon SDK 2.0

Viewing System	
OS	Microsoft Windows XP/Vista/7
Browser	Microsoft IE 6.0 or above
Software	Surveon VMS 2.4.1

General	
Temperature	Operation: -10°C ~ 50°C (14°F ~ 122°F) Storage: -30°C ~ 60°C (-22°F ~ 140°F)
Humidity	0 to 90%
Power	12VDC 1.5A ; PoE (IEEE 802.3af) with Class 3
Power Consumption	Max. 12W
Dimension	ø180mm x 130.9mm (H)
Weight	Net: 1.2kg Gross: 1.9kg
Certification	Safety: LVD EMC: FCC, CE

\* All specifications are subject to change without notice.  
\* All brand names and registered trademarks are the property of their respective owners.

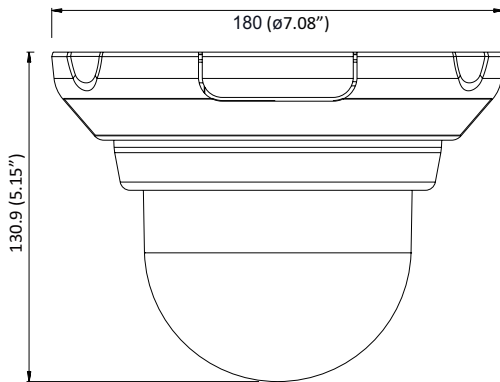
# CAM5130

10x Zoom CCD Day&Night PTZ Dome Network Camera

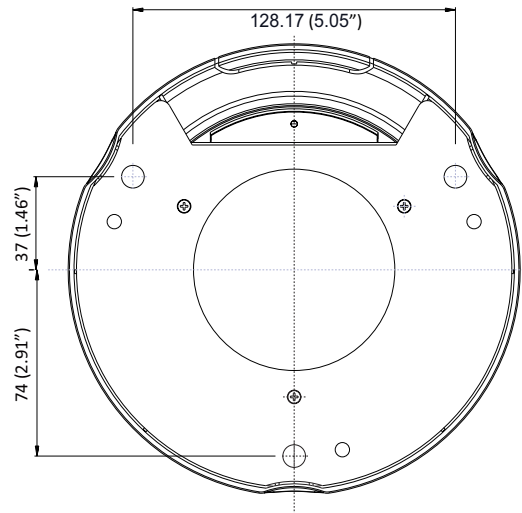
## Part Names and Functions

Unit:mm(inches)

Side View



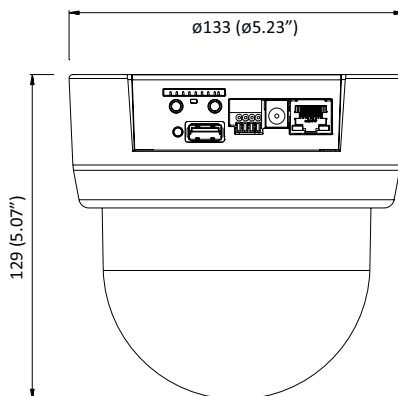
Bottom View



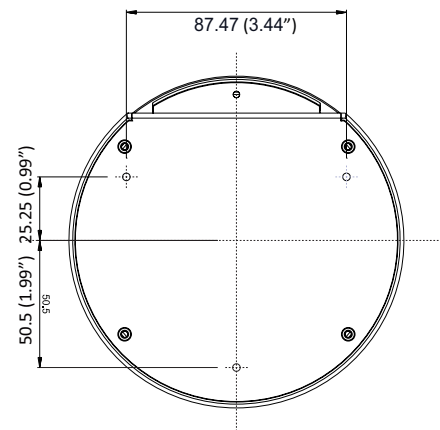
## Appearance

Unit:mm(inches)

Side View



Bottom View



## Package Content

Contents	Quantity
Quick Installation Guide	1
Product DVD	1
CAM5130	1
Decoration Ring	1
Anchors and Mounting Screws	3

## Ordering Information

Part Number	Description
CAM5130-0055	10x Zoom CCD PTZ Dome Network Camera with varifocal lens

## Optional Accessories

Part Number	Description
ZPWR18W-0030	Power Adapter
CAM5130-0050	CAM5130 with Power Adapter

Network Camera