

CAM2441

3 Megapixel Real Time HDR Day&Night Network Camera



- 3 Megapixel Progressive Scan Sensor
- Up to 2048x1536 30FPS & 1920x1080 60FPS
- H.264/MPEG4/MJPEG 2 Simultaneous Video Streams
- Surveon Video Intelligent Ready
- MicroSD/SDHC Local Storage for Alarm Capture
- Advanced ISP Function (HDR, Luminance Control, 2D/3D De-noise, Edge Enhancement, Lens Correction)
- HDR (High Wide Dynamic Range) and ROI (Video Cropping)
- PoE (IEEE 802.3af) and Day/Night IR-Cut Filter
- Day/Night profiles for optical settings



Network Camera

Product Specification

Camera	
Image Sensor	1/3" 3 megapixel progressive scan CMOS
Lens	Changeable (CS/C mount)
SNR	48dB
WDR	Yes (HDR, 100 dB)
Day/Night ICR	Yes
IR LED	N/A
Min Illumination	0.01 Lux @ F1.2 (B/W) 0.1 Lux @ F1.2 (Color)
Iris Control	DC drive
Shutter time	1/1 ~ 1/1,000,000 s
Viewing Angle	N/A
Camera Angle Adjustment	N/A
Pan/Tilt/Zoom Functionalities	N/A
Video	
Video Compression	H.264/MPEG-4/MJPEG
Resolution	Up to 2048 x 1536
Frame Rate	30 fps at QXGA (2048 x 1536) 60 fps at 1080P (1920 x 1080) 60 fps at SXGA (1280 x 1024) 60 fps at 720P (1280 x 720) 60 fps at D1 (720 x 480) 60 fps at VGA (640 x 480) 60 fps at QVGA (320 x 240)
Video Stream	Dual stream at H.264, MPEG-4, and MJPEG simultaneously
Bit Rate	64K ~ 20Mbps, VBR, CBR, controller frame rate and quality
Video Control	AGC (Auto Gain Control), AWB (Auto White Balance), AES (Auto Electronic Shutter), HDR, Luminance Control, 2D/3D De-noise, Edge Enhancement, Lens Correction, image adjustment
Intelligent video	Motion detection, tampering detection (blocked, redirected, defocused, or spray-painted)
Video Jack	Yes (BNC)
Audio	
Built-in MIC	N/A

Audio Compression	16KHz, ADPCM/G.711
Audio Input/Output	3.5mm phone jack

I/O and Event Management	
Alarm In	1, terminal block
Alarm Out	1, terminal block
Video Buffer	5 second pre-alarm, 30 second post-alarm
Event Action	Send snapshot or video clip by FTP or email, record to NAS, record to local storage, trigger DO

Network	
Supported Protocols	IPv4, ARP, TCP, UDP, ICMP, DHCP, NTP, DDNS, SMTP, FTP, HTTP, CIFS, PPPoE, UPnP, RTP, RTSP, RTCP, 3GPP, ONVIF
Ethernet	10/100 Base-T / RJ45

System	
Local Storage	microSD/SDHC x 1 (Class 4/Class 6 only)
RS-485	1 (2 pin on terminal block)
USB	N/A
SDK	Surveon SDK 2.0

Viewing System	
OS	Microsoft Windows XP/Vista/7
Browser	Microsoft IE 6.0 or above
Software	Surveon VMS 2.4.8

General	
Temperature	Operation: -10°C ~ 50°C (14°F ~ 122°F) Storage: -30°C ~ 60°C (-22°F ~ 140°F)
Humidity	5 to 90%
Power	12VDC 1.5A; PoE (IEEE 802.3af) with Class 3
Power Consumption	Max. 7W
Dimension	74.95mm x 59.3mm x 153.5mm (2.95" x 2.34" x 6.04")
Weight	Net: 435g (0.96 lb) Gross: 1085g (2.4 lb)
Certification	Safety: LVD EMC: FCC, CE, GOST

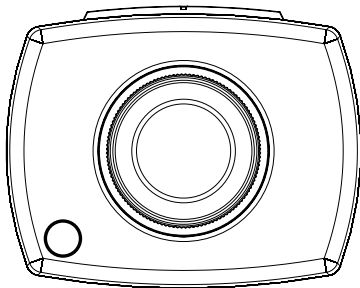
* All specifications are subject to change without notice.
* All brand names and registered trademarks are the property of their respective owners.

CAM2441

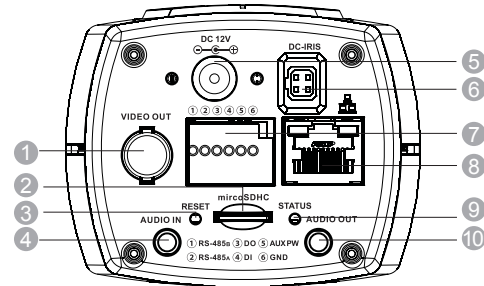
3 Megapixel Real Time HDR
Day&Night Network Camera

Part Names and Functions

Front View



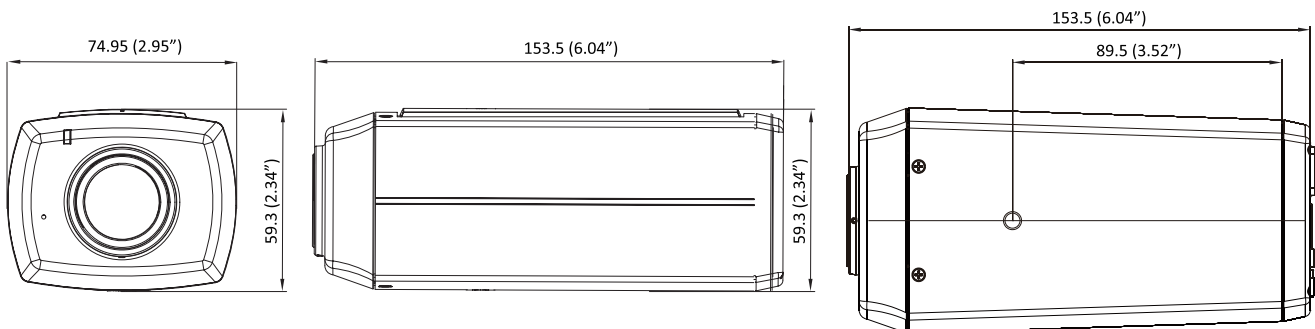
Rear View



- ① Video out
- ② microSDHC slots
- ③ Reset button
- ④ Audio in
- ⑤ Power connector
- ⑥ DC-Iris connector
- ⑦ I/O terminal connectors
- ⑧ Network connector
- ⑨ Status indicator
- ⑩ Audio out

Appearance

Unit:mm(inches)



Package Content

Contents	Quantity
Quick Installation Guide	1
Product DVD	1
CAM2441	1
Camera Stand	1
Decoration Ring	1
L Type Hexagon Spanner	1

Ordering Information

Part Number	Description
CAM2441-0015	3 megapixel HDR day&night network camera w/o lens

Optional Accessories

Part Number	Description
ZPWR18W-0030	Power Adapter

Lens Options

Part Number	Description
YB0LL07K01G0	1/2", f4.5~10mm/F1.6, DC-iris, CS mount
YB0LCB6C01G0	1/2.7", f3.1~8mm/F1.2, DC-iris, CS mount