

CAM2101

D1 H.264 Day&Night Network Camera



- D1 Progressive Color CMOS Sensor
- Up to 720 x 480 Video Resolution
- H.264/MPEG4/MJPEG 2 Simultaneous Video Streams
- Motion Detection and Tampering Detection
- Dual microSD/SDHC Local Storage for Alarm Capture
- Power over Ethernet (IEEE 802.3af)
- Day/Night Function with IR-Cut Filter



Product Specification

Camera	
Image sensor	1/3.2" D1 progressive color CMOS
Lens	4.2 mm, F1.8 (Default)
WDR	N/A
Day/Night ICR	Yes
IR LED	N/A
Min illumination	0.2 Lux @ F1.8
Iris control	N/A
Shutter time	1/4 ~ 1/10,000 s
Viewing angle	N/A
Camera angle adjustment	N/A
Pan/tilt/zoom functionalities	N/A
Video	
Video compression	H.264/MPEG-4/MJPEG
Resolution	Up to 720 x 480
Frame rate	30 fps at D1 (720 x 480) 30 fps at VGA (640 x 480) 30 fps at QVGA (320 x 240)
Video stream	Dual stream at H.264, MPEG-4, and MJPEG simultaneously
Bit rate	32K ~ 10Mbps, VBR, CBR, controller frame rate and quality
Video control	AGC (Auto Gain Control), AWB (Auto White Balance), AES (Auto Electronic Shutter), BLC (Back Light Compensation), image adjustment
Intelligent video	Motion detection, tampering detection (blocked, redirected, defocused, or spray-painted)
Video jack	N/A
Audio	
Built-in MIC	Yes
Audio compression	32KHz, ADPCM
Audio input/output	3.5mm phone jack
I/O and Event Management	
Alarm in	2, terminal block
Alarm out	1, terminal block

Video buffer	5 second pre-alarm, 30 second post-alarm
Event action	Send snapshot or video clip by FTP or email, record to NAS, record to local storage, trigger DO
Network	
Supported protocols	IPv4, ARP, TCP, UDP, ICMP, DHCP, HTTP, UPnP, RTSP, RTCP(Others Phase II)
Ethernet	10/100 Base-T / RJ45
System	
Local storage	microSD/SDHC x 2 (Class 4/Class 6 only)
RS-485	1 (2 pin on terminal block)
USB	N/A
SDK	Surveon SDK 2.0
Viewing System	
OS	Microsoft Windows XP/Vista/7
Browser	Microsoft IE 6.0 or above
Software	Surveon VMS 2.4
General	
Temperature	Operation: -10°C ~ 50°C (14°F ~ 122°F) Storage: -30°C ~ 60°C (-22°F ~ 140°F)
Humidity	5 to 90%
Power	12VDC 1.5A ; PoE (IEEE 802.3af) with Class 3
Power consumption	Max. 5W
Dimension	74.95mm x 59.3mm x 153.5mm (2.95" x 2.34" x 6.04")
Weight	Net: 400g (0.88 lb) Gross: 1050g (2.32 lb)
Certification	Safety: LVD EMC: FCC, CE

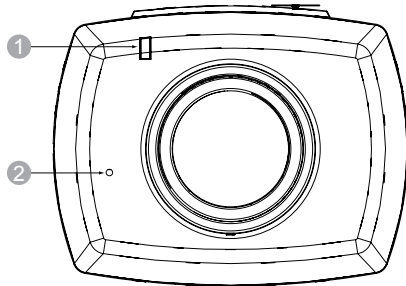
* All specifications are subject to change without notice.
* All brand names and registered trademarks are the property of their respective owners.

CAM2101

D1 H.264 Day&Night
Network Camera

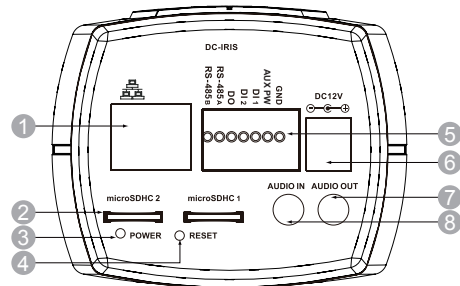
Part Names and Functions

Front View



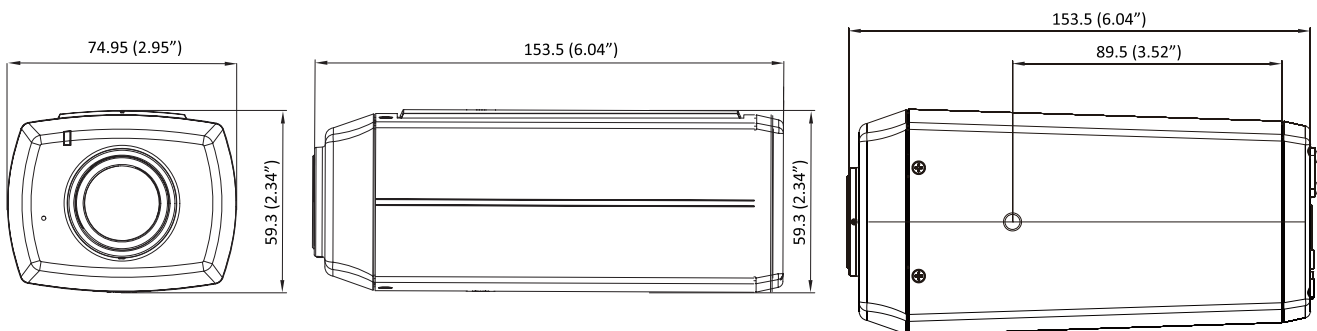
- 1 Status LED indicator
- 2 Microphone

Rear View



- 1 Network connector
- 2 microSDHC slots
- 3 Power indicator
- 4 Reset button
- 5 I/O terminal connectors
- 6 Power connector
- 7 Audio out
- 8 Audio in

Appearance



Package Content

Contents	Quantity
Quick Installation Guide	1
Product DVD	1
CAM2101	1
Camera Stand	1
CS Ring	1
L Type Hexagon Spanner	1

Ordering Information

Part Number	Description
CAM2101-0055	Day&night fixed network camera with f3.6 mm, F1.8 lens
CAM2101-0056	Day&night fixed network camera with f4.2 mm, F1.8 lens
CAM2101-0057	Day&night fixed network camera with f6 mm, F1.8 lens
CAM2101-0059	Day&night fixed network camera with f12 mm, F1.8 lens
CAM2100-0059	Fixed network camera with f12 mm, F1.8 lens

Lens Options

Part Number	Description
ZPWR18W-0030	Power Adapter
CAM2100-0050	CAM2100 with Power Adapter