

UNI-OSL7C2 & UNI-OSL7T2

Security Camera Enclosures

SONY
make.believe

7-inch Vandal Resistant Rugged Surface-Mount Housings

The surface-mount 7-inch vandal resistant rugged housing offers versatility and camera protection in a compact size. Unique in that these outdoor surface mount enclosures can be mounted facing down or facing up toward the sky. The enclosure offers mounting support for the SNC-RH124, SNC-RS44/46, SNC-RX, SNC-ER/EP and SNC-ZR/ZP series of PTZ cameras. For versatility, the enclosure is available with a clear or tinted dome.



KEY FEATURES

- 7-inch vandal resistant rugged dome for easy installation and servicing from below ceiling.
- Designed for Sony's RH, RS, RX, EP/ER and ZR/ZP PTZ cameras.
- The camera can be mounted on either side of the fixed camera bracket.
- Includes a decorative trim ring with quick-release pressure springs.
- Plenum rated metal top.
- The product is available with a clear or tinted lower dome.

BID SPECIFICATIONS

- The vandal resistant outdoor surface mount enclosure shall be the Sony model UNI-OSL7C2, UNI-OSL7T2. The housing top and trim ring shall be manufactured from durable cast aluminum. The dome shall be made of an injection molded, optically clear thermoplastic polycarbonate and a sealing O-ring shall be included. The dome shall be held in place with minimum of three (3) fasteners, and a safety cable shall be provided to hold the dome while servicing. Access to the enclosure shall be from below with three (3) captive fasteners. A twist-off feature shall allow for the final removal of the dome. Conduit openings for wiring are available on the bottom surface of the housing or by access to a removable side cover. Mounting hardware is protected by removable covers that are secured with captive security fasteners. A tool for the security fasteners shall be included.

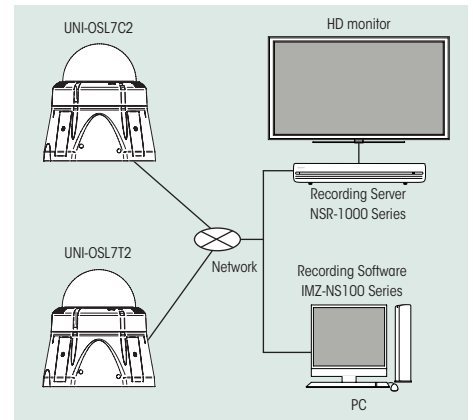
The enclosure shall require 24VAC input power and be equipped with 12VDC input blowers and thermostatically controlled heaters. The blower shall draw 1W continuous power. The 25W heater shall turn on at 60°F (15°C) and turn off at 80°F (25°C). The housing shall support a temperature range of -20°F (-29°C) to 122°F (50°C). The enclosure shall offer mounting support for the SNC-RH124, SNC-RS44/46, SNC-RX, SNC-ER/EP and the SNC-ZR/ZP series of PTZ cameras.

- Note: To achieve the increased depth with the aspheric design for optimal camera lens to capsule orientation, the capsule is slightly angled around the highest section. This creates a "line", visible to the naked eye, around the upper most section of the capsule. This "line" serves as the geometric center line used to insure proper camera placement. It is not typically seen by the camera except on cameras with above the horizon tilt capability.

SPECIFICATIONS

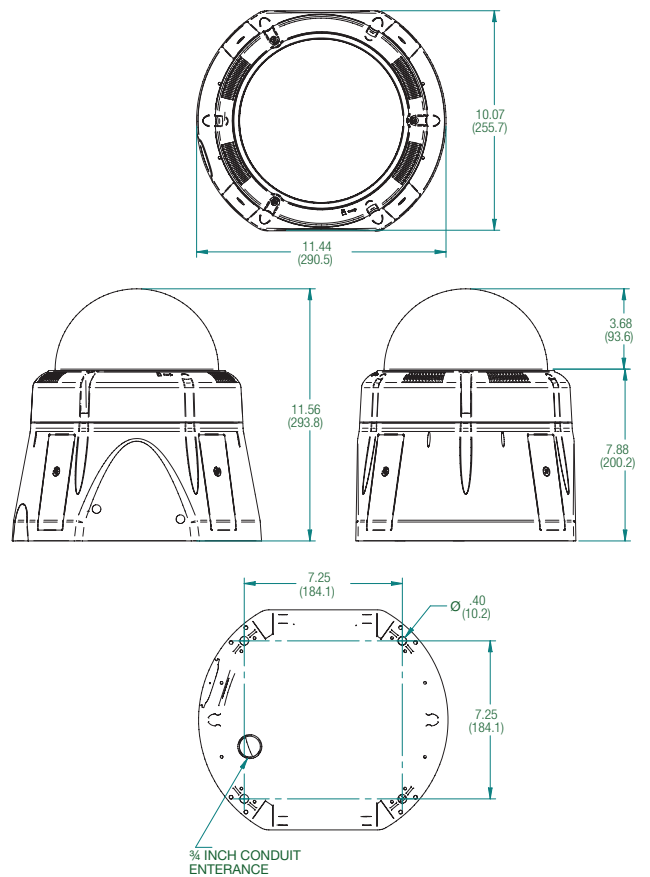
UNI-OSL7C2 & UNI-OSL7T2	
Electrical	
Heater and blower	24VAC, 27 Watts
Blower	Continuous operation
Camera	24VAC, 25Watts
Mechanical	
Size (H x W x D)	11.4 x 10 x 11.6 inches (292 x 254 x 297mm)
Weight	13 lbs. (6.0 kg) without camera
Upper housing	Cast aluminum
Trim ring	Cast aluminum
Lower dome	Optically clear, thermoplastic polycarbonate
Models	
UNI-OSL7C2	Outdoor, surface mount, clear dome enclosure with 24VAC input and heater/blower
UNI-OSL7T2	UNI-OSL7C2 with a tinted lower dome
Environmental	
Operating temperature	-20°F (-29°C) to 122°F (50°C)
Heater activates at	60°F (15°C), deactivates at 80°F (26°C), 24VAC, 25W
Effective projected area (EPA)	~0.12m ²

SYSTEM CONFIGURATIONS



DIMENSIONS

Unit: inches (mm)



© 2012 Sony Electronics Inc. All rights reserved.
 Reproduction in whole or in part without written permission is prohibited.
 Features and specifications are subject to change without notice.
 Weights and measurements are approximate.
 Sony and the Sony make.believe logo are trademarks of Sony.

Sony Electronics Inc.
 1 Sony Drive
 Park Ridge, NJ 07656
sony.com/security