

UNI-OPL7C2 & UNI-OPL7T2

Security Camera Enclosures

SONY
make.believe

Pressurized Dome Enclosures

The UNI-OPL7C2 and UNI-OPL7T2 are 7-inch pressurized housings offering versatility and camera protection in a compact size. Pressurization eliminates the effects of moisture, dirt, and pollution on valuable camera equipment. A heater and blower are standard. 24VAC input. A tinted dome is available as part number UNI-OPL7T2. Designed for the Sony SNC-RS44/46, SNC-RH124, SNC-RZ25, SNC-RX, SNC-EP/ER 520/550/580, and SNC-ZR550/ZP550 series cameras.



KEY FEATURES

- Designed for the SNC-RS44/46, SNC-RH124, SNC-RZ25, SNC-RX, SNC-EP/ER 520/550/580 and SNC-ZR550/ZP550 series of cameras.
- Pressurization seals out condensation, dust, insects and pollution.
- Superb corrosion protection; excellent for coastal areas and other extreme environmental conditions.
- Pressurized to 7 psi.
- Schraeder valve, and pressure relief valve.
- Heater and blower standard.
- Pendant mount standard, 1½ inch NPT quick connect coupling.
- Thermostatically controlled 24VAC heater.
- Durable engineered plastic top, UL94-5VA UV protected.
- Clear or tinted dome (1 F stop light reduction).
- Enhanced optical dome.
- IP67, designed to meet NEMA 4X for water ingress.

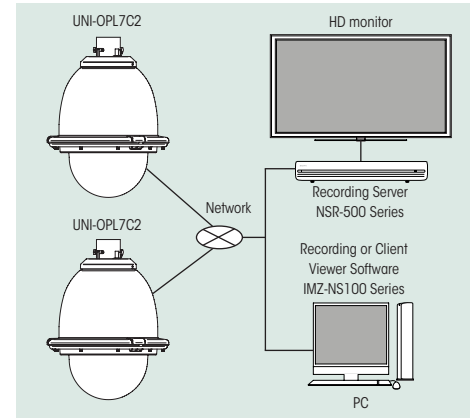
BID SPECIFICATIONS

- The outdoor pressurized dome camera housing shall be a Sony model UNI-OPL7C2 are designed for the Sony SNC-RX, RH, RS, SNC-RZ25N, SNC-EP/ER or the SNC-ZR550/ZP550 series of cameras. The housing shall be capable of withstanding a total of 7 psi (48 Kpa) of nitrogen gas injected through a Schraeder valve located on top of the machined stainless steel plate. A pressure relief valve located across from the Schraeder valve will provide an escape for pressure exceeding 7 psi (48 Kpa). Two (2) o-ring seals shall be included, 3.5 x 235mm (inner diameter) and 3.5 x 114.3mm (inner diameter). A 10-pin hermetically sealed connector, located at the top of the pressurized housing shall provide power, video and control functions. The housing shall be constructed of 3mm durable UV-resistant engineered plastic, with a UL flame rating of 94-5VA. The lower dome shall be made of an injection molded, 3mm thick, optically clear thermoplastic polycarbonate. The dome shall be held in place with minimum of (9) fasteners, and a safety cable shall be provided to hold the dome while servicing. Access to the enclosure shall be from below with (9) captive fasteners used to press the dome against a sealing o-ring. A twist-off feature shall allow for the final removal of the dome. The housing shall come standard with pendant mount. A wall mount bracket, Sony model UNI-WMB1 is available. The housing shall include a camera mounting bracket that integrates a heater and blower. The blower shall draw 1.4W continuous power. The 50W heater shall turn on at 60°F (15°C) and turn off at 80°F (27°C). The housing shall support a temperature range of -50°F to 120°F (-50°C to 50°C). The unit shall have a weight not to exceed 5kg (without camera) and dimensions of 14.7 x 11.2 x 11.2 inches (366 x 285 x 285mm). The input voltage is 24VAC and the housing shall include 24VAC to 12VDC power supply for the camera.
- Note: To achieve the increased depth with the aspheric design for optimal camera lens to capsule orientation, the polycarbonate capsule is slightly angled around the highest section. This creates a "line", visible to the naked eye, around the upper most section of the capsule. This "line" serves as the geometric center line used to insure proper camera placement. It is not typically seen by the camera. However, the Sony RH,RS, RX and ER/EP series of cameras have a 15° tilt. The Sony RZ series of PTZ cameras are capable of a 25° tilt above horizon.

SPECIFICATIONS

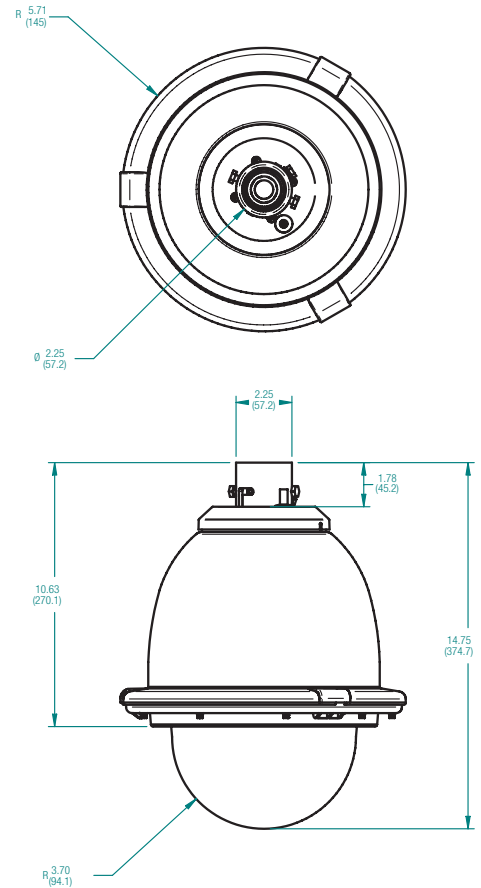
UNI-OPL7C2 & UNI-OPL7T2	
Mechanical	
Size (H x W x D)	14.4 x 11.2 x 11.2 inches
Weight	11 lbs. (5 kg)
Construction top	.125 inch (3 mm) engineered plastic
Construction body	High-impact engineered plastic, UV protected, with a UL flame rating of 94V0
Dome	Polycarbonate
Wall mount bracket	Cast aluminum
Schraeder valve	Nitrogen input (Pressurized models)
Pressure relief valve	5 psi
Power connector	10 pin hermetically sealed
Environmental	
Operating temperature	-50°F to 120°F (-45°C to 49°C)
Heater activates at	60°F (16°C)
Heater deactivates at	80°F (26°C)
Effective projected area (EPA)	Approx. 0.12 m ²
Operating humidity	Up to 100%
Electrical	
Heater	Yes
Blower	Yes
Power input	24 VAC
Power (VA)	52
Power (watts)	80 watts - includes 52 watts for heater/blower
Operating temperature	-40.0°C to 48.9°C (-40°F to 120°F)
Attributes	
Body construction	High-impact engineered plastic, UV protected, with a UL flame rating of 94-5V
Viewing dome construction	Polycarbonate
Camera included	No
Environment	Outdoor
Housing Style	Standard
Specialty Style	Pressurized
Specialty Style	Pendant
RoHS	Yes
WEEE	Yes
IP rating (IP)	67
NEMA rating	4x
UL	Yes
CUL	Yes
CE	Yes

SYSTEM CONFIGURATIONS



DIMENSIONS

Unit: inches (mm)



© 2011 Sony Electronics Inc. All rights reserved.
 Reproduction in whole or in part without written permission is prohibited.
 Features and specifications are subject to change without notice.
 Weights and measurements are approximate.
 Sony, the Sony make.believe and their respective logos are trademarks of Sony.

Sony Electronics Inc.
 1 Sony Drive
 Park Ridge, NJ 07656
sony.com/security