

UNI-IFF7C3 & UNI-IFF7T3

Security Camera Enclosures

SONY
make.believe

Recessed Ceiling Housings

The UNI-IFF7C3 (clear dome) and UNI-IFF7T3 (tinted dome) are low-profile indoor ceiling housings. They feature a 7-inch thermoplastic polycarbonate dome that accommodates the Sony fixed cameras. The upper body is made of steel, and a white powdercoat trim ring gives the housing a clean look.



KEY FEATURES

- Designed for the Sony SNC-CH120/140/220/240, SNC-EB520 and SNC-ZB550 fixed network as well as the SSC-FB530/560, SSC-G113A/213A and SSC- G103A/203A analog fixed cameras.
- Maximum camera/lens angle of 8 inches.
- 7-inch dome for easy installation and servicing from below ceiling.
- The clear (UNI-IFF7C3) and tinted (UNI-IFF7T3) housings extend only 3.5 inches below ceiling.
- The camera can be mounted on either side of the fixed camera bracket.
- Includes a decorative trim ring with quick-release pressure springs.
- UL rated for drop ceiling applications.

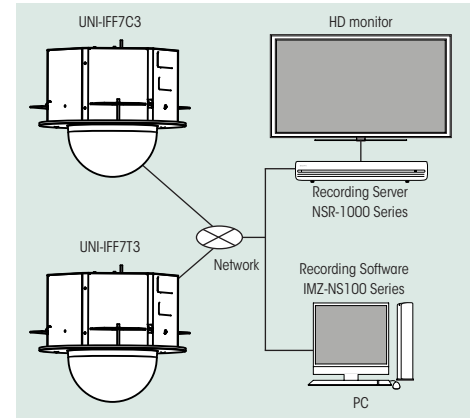
BID SPECIFICATIONS

- The recessed ceiling housing shall be a Sony model UNI-IFF7C3 & UNI-IFF7T3. The housings have been designed and engineered for Sony fixed cameras. The back box shall be constructed from 18-and 20-gauge steel and capable of being installed in its entirety from below the ceiling. The steel top will measure 5.5 x 11 inches (H x D). The lower injection molded polycarbonate dome shall be available in clear or tinted material. The UNI-IFF7T3 includes a tinted lower dome and the UNI-IFF7C3 includes a clear lower dome. The lower dome shall be made from injection molded optical grade thermoplastic polycarbonate, and held in place by a 19-gauge steel trim ring (white powdercoat finish). The product shall be designed to be installed in either sheetrock or drop ceilings. Three rotating support arms will allow for adjustment to the ceiling material thickness.

SPECIFICATIONS

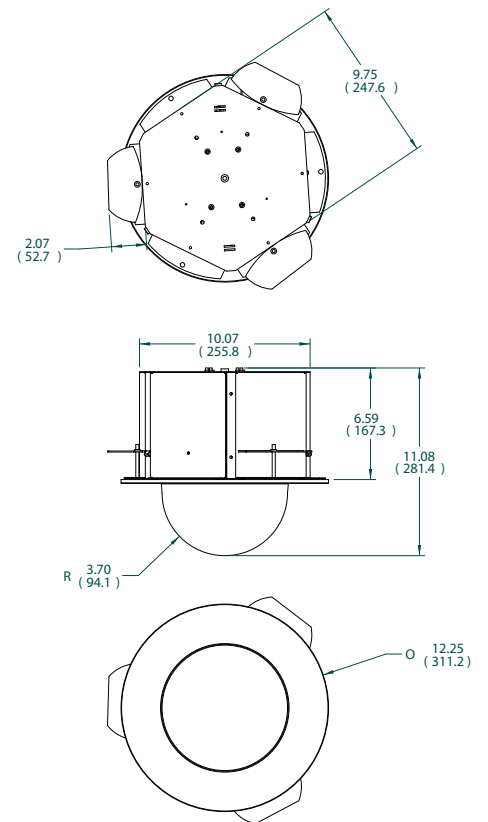
UNI-IFF7C3 & UNI-IFF7T3	
Mechanical	
Size (H x W x D)	11.08 x 12.25 x 12.25 inches (281 x 311 x 311mm)
Weight	6 lbs. (3 kg) without camera
Shipping	
Weight	10 lbs. (4.6 kg)
Boxing	15 x 15 x 12 inches (381 x 381 x 305mm)
Construction	
Body	Steel
Back box	18-and 20-gauge steel
Trim ring	19-gauge steel
Dome	OptiClear™ polycarbonate
Electrical	
No electronics. Interface wiring	Ethernet, sensor I/O, power provided by user

SYSTEM CONFIGURATIONS



DIMENSIONS

Unit: inches (mm)



© 2011 Sony Electronics Inc. All rights reserved.
 Reproduction in whole or in part without written permission is prohibited.
 Features and specifications are subject to change without notice.
 Weights and measurements are approximate.
 Sony, the Sony make.believe and their respective logos are trademarks of Sony.
 All other logos are the trademarks of their respective owners.

Sony Electronics Inc.
 1 Sony Drive
 Park Ridge, NJ 07656
sony.com/security