

# SSC-G203/G203A

Analog Color Fixed Cameras

**SONY**  
make.believe

## 540 TV Line Security Camera with High Sensitivity

- Horizontal resolution of 540 TV lines
- High sensitivity  
Color: 0.15 lx (F1.2, 50 IRE, AGC ON)  
B/W: 0.01 lx (F1.2, 50 IRE, AGC ON)
- CS mount lens\*
- Compact design

\* A lens is an optional.



### KEY FEATURES

- High resolution (540 horizontal TV lines) and high sensitivity (Color : 0.15 lx / B/W : 0.01 lx, F1.2, 50 IRE) achieved by an 1/3-type "Super HAD CCD II" sensor and Sony's new digital signal processor, "Effio-E."

### *Super* **HAD CCD II**™

- Optical Day / Night function to switch to Day or Night mode depending on the light level.
- Low power consumption: 1.6 W (Max.).
- Dip SW Control for easy mode setting.
- ATR-Lite (Adaptive Tone Reproduction Lite) to compensate for gradation of subjects to an optimum level.
- iBLC to compensate for exposure levels in dark scenes to improve subject visibility.
- ATW (Automatic Tracing White) balance which automatically adjusts the camera's white balance to adapt to sudden changes in lighting conditions.
- Internal lock, and line lock selectable.
- 2D noise reduction employed.
- AC 24 V / DC 12 V operation ( $\pm 10\%$ ).

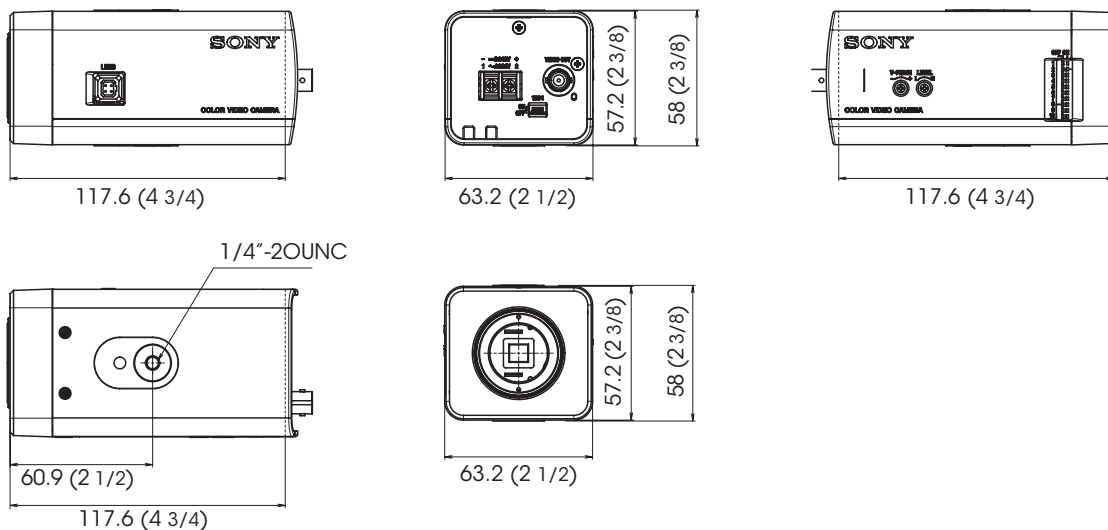
## SPECIFICATIONS

	SSC-G203	SSC-G203A
<b>Camera</b>		
Image device	1/3-Type "Super HAD CCD II"	
Number of effective pixels (H x V)	440,000 pixels (752 x 582)	380,000 pixels (768 x 494)
Signal system	PAL standard	NTSC standard
Horizontal resolution	540TV lines	
S/N ratio	More than 55 dB (AGC Off)	
Minimum illumination	Color: 0.15 lx, B/W: 0.01 lx (F1.2, 50 IRE) Color: 0.08 lx, B/W: 0.003 lx (F1.2, 30 IRE)	
Video output	VBS:1.0Vp-p	
Synchronization	Internal/AC line lock selectable	
Gain control	Auto (on/off)	
White balance	ATW (2000K to 10000K), ATW-PRO (2500K to 6000K)	
Lens type	CS MOUNT LENS	
<b>Camera Features</b>		
Day/Night	Yes	
Noise reduction	Yes (2D NR)	
Back light compensation	Yes (iBLC)	
Automatic tone reproduction	Yes (ATR-Lite)	
<b>General</b>		
Mass	255 g (9 oz)	
Dimensions	117.6 x 63.2 x 57.2 mm ( 4 3/4 x 2 1/2 x 2 3/8 inches)	
Power requirement	AC 24 V $\pm$ 10 %, DC 12 V $\pm$ 10 %	
Power consumption	1.6 W	
Operating temperature	-10 °C to +50 °C (14F° to 122F°)	
Storage temperature	-40 °C to +60 °C (-40F° to +140F°)	
Operating humidity	20 % to 80 %	
Storage humidity	20 % to 95 %	
Supplied accessories	Operating instructions x1, Lens mount cap x1	

\* A lens is an optional.

## DIMENSIONS

Unit: mm (inches)



Distributed by

© 2011 Sony Corporation. All rights reserved.  
 Reproduction in whole or in part without written permission is prohibited.  
 Features and specifications are subject to change without notice.  
 The values for weight and dimension are approximate.  
 "SONY", "make.believe", "Effio-E", and "Super HAD CCD II" are  
 trademarks of Sony Corporation.  
 All other trademarks are the property of their respective owners.