

## OpteliDome

### Features

- Hybrid outdoor speed dome camera
- Up to 300x zoom (30x optical and 10x digital zoom)
- Auto day/night operation
- Dual core MPEG-4 encoding (multi-stream)
- Password protected web-interface
- 128 presents
- Robust aluminum housing
- Easy installation


**IP  
Camera**

### Description

The OpteliDome™ combines high-quality camera components with excellent MPEG-4 encoding performance in a highly reliable and feature-rich outdoor speed dome camera. The precise pan/tilt drive, high-quality lens, high resolution image sensor, and DVD-quality MPEG-4 encoder assure that nothing is missed, even during night-time.

#### Camera features

This high-quality hybrid speed dome offers day/night auto switch-over with 0.001 lux sensitivity using DSS. The powerful 30x auto focus zoom lens in combination with the 10x digital zoom reveals even the smallest details. In addition, the precision pan and tilt drive technology offering 360° per second offers almost instant present positioning.

#### Network features

The OpteliDome™ is equipped with a high-resolution dual MPEG-4

encoder. It is capable of streaming two independent video qualities for monitoring and storage.

In combination with multicast or multi-unicast the OpteliDome™ ensures optimal use of the available network capacity.

#### Robust outdoor operation

The aluminum water tight housing (IP66 rating) makes the dome well suited for outdoor operation. With a few clicks the dome is easily assembled to the wall mount or ceiling mount bracket.

#### Versatile CCTV solutions

The OpteliDome™ series is part of Optelecom-NKF's Siquira™ surveillance solutions, offering seamless integration of video monitoring, network storage, and management software. The introduction of the OpteliDome™ underlines our strategic direction of becoming an IP-surveillance solutions provider.

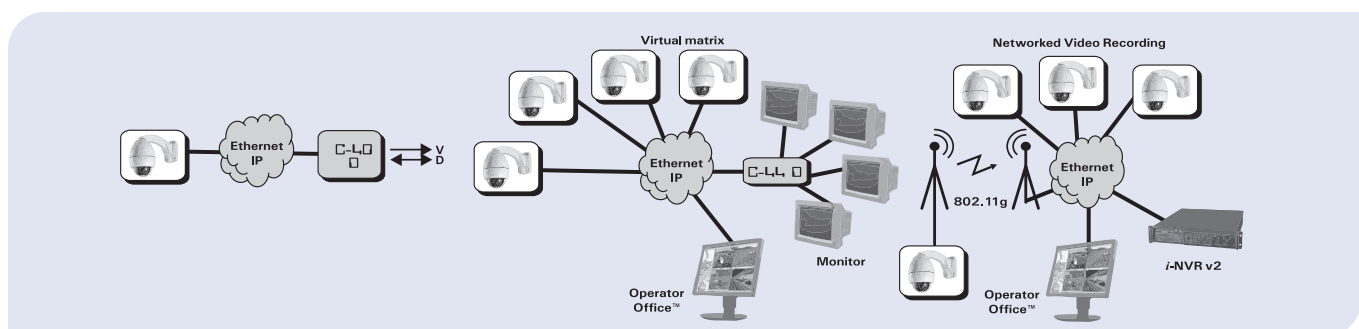
### Ordering information

#### Models

#### Description

OpteliDome /N-WMB	High speed PTZ IP Dome NTSC camera, dual core MPEG-4, 30x optical zoom, incl. wall mount bracket
OpteliDome /P-WMB	High speed PTZ IP Dome PAL camera, dual core MPEG-4, 30x optical zoom, incl. wall mount bracket
OpteliDome /N-CMB	High speed PTZ IP Dome NTSC camera, dual core MPEG-4, 30x optical zoom, incl. ceiling mount bracket
OpteliDome /P-CMB	High speed PTZ IP Dome PAL camera, dual core MPEG-4, 30x optical zoom, incl. ceiling mount bracket

### Applications



## Technical Specifications

### Video

Video output	1x Analog (BNC), 2x MPEG-4 (RJ45)	
Number of output streams	5 streams per encoder (10 total)	
Compression algorithm	MPEG-4 SP layer 5 (compliant to ISO/IEC 14496-2)	
Encoding/decoding latency	<200 ms	
Resolution	PAL	NTSC
D1	720x576	720x480
1/2D1	352x576	352x480
2CIF	720x288	720x240
CIF	352x288	352x240
QCIF	176x144	176x120
Frame rate	1 to 25 (PAL)/30 (NTSC) fps	
PTZ protocol	Pelco-D (9600 baud)	
Network	10/10Base-TX (IEEE 802.3)	
Selectable	Auto-negotiation; half/full duplex, 10 or 100 Mbps forced	
Camera controls	Through web and/or OSD menu	
Text overlay	Top and/or bottom: Time, date, and/or ASCII string	

### Contacts

Number of contacts	2x input
Number of streams	3 streams per input
Input spec	+3V pull-up, 2kΩ
Threshold	1.2 V/1mA
Latency	<5 ms

### Camera

Image sensor	1/4" SONY Super HAD CCD
Horizontal resolution	480 TV lines
S/N ratio	Better than 48 dB
Zoom	30x optical zoom, 10x digital zoom
Focal length	f = 3.3 (wide) ~ 99 (tele) mm
Aperature range	F1.6 (wide) ~ 3.2 (tele)
Sensitivity	1Lux (color)/0.5Lux (B/W)/0.001Lux (DSS)
Day/night	Auto, day or night selectable
Focus	Auto, manual or semi-auto selectable
AE mode	Auto, iris, shutter or manual control
White balance	Auto or manual selectable
Black light compensation	On, off selectable
Flickerless	On, off

### Pan/Tilt

Operation range	Pan 360° (endless)/Tilt 90°
Operation speed	Preset: 360°/sec
Manual	1 ~ 360°/sec (interlocked with zoom extension)
Swing	1 ~ 180°/sec
Preset setting	127 presets (label setting, individual video setting)
Swing setting	8 swings
Pattern setting	4 patterns (1200 commands/pattern, 5 min)
Group setting	8 groups (20 actions/group)
Other functions	Auto flip, auto parking, power up action

### Powering

Input voltage	24 VAC (19 VAC ~ 29 VAC)
Power consumption	48 VA
Fuse	2A

### Management

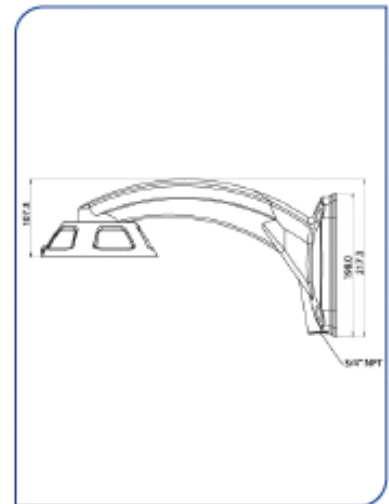
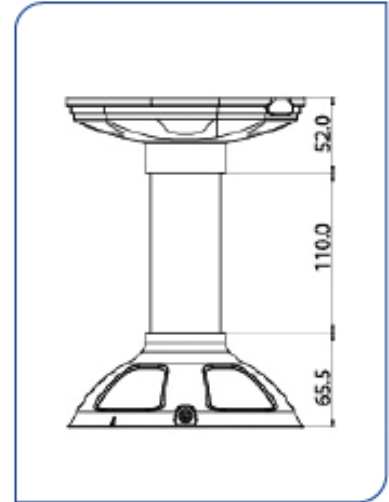
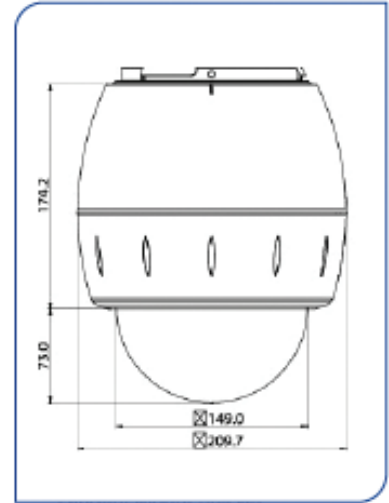
Management and control	SNMPv2; MX™; HTTP (password protected); RTSP
------------------------	--

### Environmental

Operational temperature	-22° to +122° F (-30° to +50° C)
Storage temperature	-40° to +167° F (-40° to +75° C)
Relative humidity	90%, no condensation
MTBF	>50,000
Safety and EMC	IEC/EN 60950-1, IEC/EN 61000 EN 50130-4, EN 50081-1, EN 55022, FCC part 15

### Mechanical

Dimension	6 in. dia. (149 mm)
Housing	8.4 in. dia. x 10.2 in. (209.7 mm x 247.2 h mm)
Weight (approx.)	5.5 lbs (3.8 Kg)



U.S. +1 800. 293. 4237 or +1 301. 444. 2200 Europe +31 182. 592. 333 Asia +65 6264 7502 Web www.optelecom-nkf.com

In line with Optelecom-NKF's policy of continuous product improvement, we reserve the right to vary descriptions and specifications without notice. 7/07

The management system governing the manufacture of this product is ISO 9001:2000 certified.

