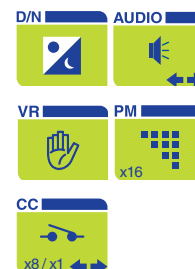


MD60

IP mini PTZ dome with day/night (indoor)

Features

- Quad stream support- H.264/ Dual-MPEG-4/ MJPEG
- Up to 120x zoom (12x optical and 10x digital zoom)
- Auto day/night and for low light conditions
- Back Light compensation
- 300° / second Preset targeting
- 256 presets / 1 programmable cruise
- Contact closures (alarms) - 8 output, 1 input
- 16 Privacy masks
- Polycarbonate bubble
- Two-way audio
- Analog Output
- 24 VAC/12VDC



Description

The Siquira® MD60 is a compact network PTZ dome camera in a vandal-proof housing providing excellent pictures.

Quad Streaming

The versatile MD60 is capable of streaming H.264, dual MPEG-4 and MJPEG simultaneously. Each stream is optimized for its purpose, e.g., high-quality MJPEG live viewing, low-bandwidth H.264 or MPEG-4 storage, and low-resolution MJPEG for web applications or remote devices (e.g., PDAs). The H.264 implementation is based on dedicated hardware resulting in unparalleled video quality.

Open Streaming Architecture (OSA)

The MD60 is designed to comply with the worldwide adopted standards for streaming video. Its OSA offers standardized streaming video and remote control. All streaming protocols are based on approved standards and tested with different vendors.

A comprehensive HTTP API gives access to all controls and makes integration with third party VMS easy. In addition, the MD60 supports Siquira's unique MX™ protocol.

Mini Dome

This mini PTZ dome has a 12x autofocus zoom lens with 10x digital zoom. Because the lens can move in almost any direction, this camera offers a wide range of observation without missing the smallest details. In addition, precision 300° per second pan and tilt drive technology offers almost instant preset positioning.

Ordering Information

Model

MD60 /N
MD60 /P

Description

Mini network PTZ dome, day/night, vandal-resistant
Mini network PTZ dome, day/night, vandal-resistant

PA01 /EU

PA01 /US

CM01

CM02

CM03 /MD

CM04 /MD

WM01

WM02 /MD

Power adapter 220~235 VAC to 24 VAC /1,5A for MD-series with no use of heater (indoor), with EU plug

Power adapter 220~235 VAC to 24 VAC /1,5A for MD-series with no use of heater (indoor), with US plug

Straight tube 25 cm

Straight tube 50 cm

Hard ceiling mount indoor MD-series

Flush mount indoor MD-series

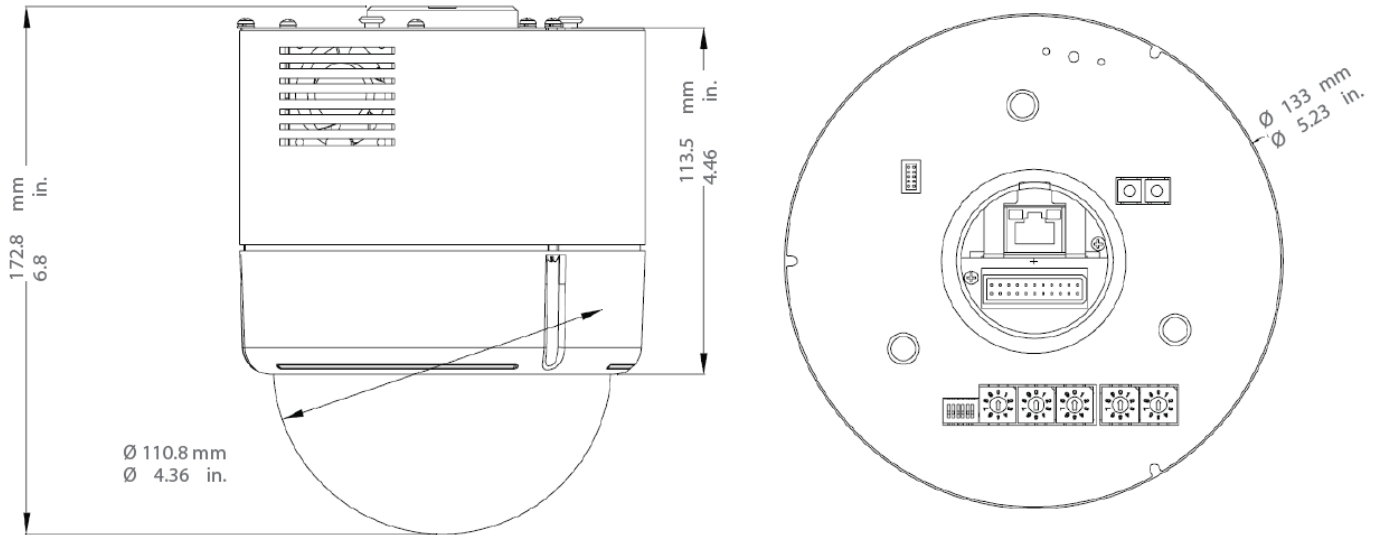
Mini wall mount for MD-series

Tube adaptor for indoor MD-series, compatible with CM01, CM02 and WM03

MD60

Technical specifications

IP mini PTZ dome with day/night (indoor)



Camera

Image sensor	1/4" EXview CCD	
Video output (Max. resolution)	H.264 BP (ISO/IEC 14496-10) MPEG-4 SP Layer 5 (ISO/IEC 14496-2), MJPEG	
Frame rate	1 to 30 fps	
Optical zoom ratio	12x	
Digital zoom	10x	
Resolution	NTSC	PAL
Effective pixels	380k	440k
Horizontal resolution	470 TVL	470 TVL
Electronic shutter	1/60~1/10 k s	1/50~1/10 k s
D1	720x480	720x576
1/2D1	352x480	352x576
2CIF	720x240	720x288
CIF	352x240	352x288
QCIF	176x120	352x288

Synchronization

Video output	Internal
Minimum illumination	1.0 Vpp/7Ω, BNC (gold-plated center pin)
Focal length	1 lux, 0.1 lux (B/W)
Focus mode	4~48 mm
White balance	Auto/manual
Iris control	Auto/manual
AGC control	Auto/manual
Backlight compensation	On/ Off

Functions

Day/ Night (IR-cut filter)	On/ Off
Privacy masks	16
Digital slow shutter	on/off

Contact Closures

Inputs	8
Outputs	1
Reactions	Preset, Sequence, Auto pan, Cruise

Network

Interface Protocol	MPEG-4 ES, RTP, UDP, IP, DHCP, IGMPv2, RTSP, (S)NTP, MX/IP, HTTP, SNMP v2
Connector type	RJ45
Compression algorithm	MPEG-4 SP Layer 5 (ISO/IEC 14496-2), MJPEG

Audio

Two-way audio	Line out, Line in/mic in (jack Ø3.5 mm)
Number of channels	1 (Mono, full-duplex)
Number of streams	3 (multi- and/or unicast)
Maximum bandwidth	20 Hz to 20 kHz
Sampling resolution	8/16-bits linear PCM or G.711
Input level	Adjustable, mic or line
Output level	Adjustable, 3 Vrms max.
input impedance	>20 kΩ (600Ω bal)
Output impedance	<100Ω (balanced)

Pan/Tilt

Pan travel	360° continuous
Tilt travel	0°~180°
Preset speed	300°/s
Manual speed	0.5°/s
Presets	256 presets
Preset accuracy	0.225°
Cruise	8
Sequence	8
Auto pan	4
Proportional pan & tilt	On/ Off
Resume after power loss	Yes
Zone title	16
Home function	Preset, Sequence, Auto pan, Cruise
Auto flip	Mechanical/ Off

Mechanical

Dimension (h x w x d)	Ø133 x 173 mm (Ø5.2 x 6.8 in.)
Weight	1.2 kg (2.7 lbs.)
Color	RAL-9003 (signal white)

Environmental

Operating Temperature	0°C to +40°C (+32°F to +104°F)
-----------------------	--------------------------------

Powering

Power consumption	21W
Power	19.2- 28.8 VAC, 24 VAC nominal



The quality management system utilized in the development, production, sales and support of this product is ISO 9001:2008 certified by LRQA.

© Optelecom-NKF Version: February 2010 V2 (First Edition) – Subject to modification

www.siqua.com
www.optelecom-nkf.com