



IP vandal-resistant mini PTZ dome with D/N (outdoor)

Siqura MD22

Features

- Vandal Resistent Outdoor Mini Network PTZ dome
- Tri-stream support- Dual-MPEG-4 / MJPEG
- 12x Optical Zoom / 10 x digital zoom
- Day / Night with IR cut-filter
- Back Light Compensation
- 300° / second Preset targeting
- 720° panning (with auto-continue)
- 256 presets / 1 programmable cruise
- 8 alarm in / 1 output
- Two-way audio
- Analog Output
- IP66 Ingress Protection
- Polycarbonate bubble
- 24 VAC



Bracket Sold Separately

Description

The Siqura® MD22 is a compact network PTZ dome in a weather and vandal resistant housing which provides high speed performance and superior encoding technology.

Triple Streaming

The versatile MD22 is capable of streaming dual MPEG-4 and MJPEG simultaneously. Each stream is optimized for its purpose, e.g., high-quality MJPEG live viewing, low-bandwidth MPEG-4 storage, and low-resolution MJPEG for web applications or remote devices (e.g., PDAs).

Mini Dome

This mini PTZ dome has a 12x autofocus zoom lens with 10x digital zoom. The 720 degree pan provides seamless control in both programmed and manned operation. In addition, precision 300° per second pan and tilt drive technology offers almost instant preset positioning.

Day/Night and Backlight Compensation

The MD22 is provided with an automatic Day/Night functionality, which is used in low light situations and a Backlight Compensation functionality for use in different scenes. This means, the MD22 provides a clear picture for the operator, no matter what the lightning situation is.

Audio, I/O Contacts and Analog Output

By combining streaming video with duplex audio and I/O contacts over IP, the MD22 provides all the interfaces necessary for any IP CCTV application. The balanced audio inputs/outputs are suitable for all industrial audio systems. With its analog output, the MD22 is a hybrid solution and can provide local video for a public view monitor or local DVR.

Vandal-Resistant Housing

The Siqura MD22 is designed for outdoor applications and is made vandal-resistant with a robust housing and polycarbonate bubble.

Siqura Surveillance Solutions

The Siqura® MD22 is part of Siqura, a complete offering of surveillance equipment and solutions. Siqura offers video codecs/servers, IP cameras, video management, network storage, and configuration software.

Ordering information

Model	Description	Zoom	NTSC/PAL
Siqura MD22 /N	Mini network PTZ dome, day/night, vandal-resistant, IP66	12x	NTSC
Siqura MD22 /P	Mini network PTZ dome, day/night, vandal-resistant, IP66	12x	PAL

Siqura MD22

Technical Specifications

Camera

Image sensor	1/4" EXview CCD	
Resolution	NTSC	PAL
Effective pixels	380k	440k
Horizontal resolution	470 TVL	470 TVL
Electronic shutter	1/60~1/10k s	1/50~1/10k s
D1	720x480	720x576
½D1	352x480	352x576
2CIF	720x240	720x288
CIF	352x240	352x288
QCIF	176x120	176x144
Synchronization	Internal	
Minimum illumination	1 lux, 0.1 lux (B/W)	
Focal length	4~48 mm	
Focus mode	Auto/ Manual	
White balance	Auto/ Manual	
Iris control	Auto/ Manual	
AGC control	Auto/ Manual	
Backlight compensation	On/ Off	

Video

Compression algorithm	MJPEG, MPEG-4 SP Layer 5 (ISO/IEC 14496-2, ISMA comp.)
Type of streaming	UDP/IP (multi- and/or unicast)
Number of output streams	Up to 20
Encoding latency	<130 ms
GOP structure	I, IP selectable
Frame rate	1 to 30 FPS
Triple streaming: ¹	
25/30 fps MPEG-4	1xD1 + 1x2CIF + MJPEG
25/30 fps MPEG-4/MJPEG	1xD1 + 1xD1 + MJPEG
Output data rate	Up to 20 Mb/s (CBR or VBR selectable/ user profiles)
Video settings	User profiles, contrast, brightness, color saturation, hue, sharpness.
On screen display	3x text lines, (configurable: position, color, border/outline color, font size), 1x image in BMP, GIF, or JPEG format (configurable: position, scaling.)
Live view encoder	HTTP, FTP pull

Functions

Motion detection	Yes (user-defined masking)
Day/ Night (IR-cut filter)	Auto/ On/ Off

Audio

Two-way audio	Line out, Line in/mic in (jack Ø3.5 mm)
Number of channels	1 (Mono, full-duplex)
Number of streams	3 (multi- and/or unicast)
Maximum bandwidth	20 Hz to 20 kHz
Sampling resolution	8/16-bits linear PCM or G.711
Input level	Adjustable, mic or line
Output level	Adjustable, 3 Vrms max.
input impedance	>20 kΩ (600Ω bal)
Output impedance	<100Ω (balanced)

Contacts

Number of channels	8xin, 1x out
Number of streams	2x 3 (multi- and/or unicast)

Network

Interface Protocol	10/100Base-TX, Fast ethernet MPEG-4 ES, (M)JPEG, RTP, RTCP, RTSP, TCP, UDP, IP, DHCP, IGMPv2, (S)NTP, MX/IP, HTTP, SNMP v2, \ FTP, TelNet, DiffServ, SAP, UPnP RJ45
Connector type	SNMP v2, MX™, HTTP API v1.30, HTML (password protected)
Management & control	

Pan/Tilt

Pan travel	720°
Tilt travel	-10°~100°
Preset speed	300°/s
Manual speed	0.5°/s
Presets	256 presets
Preset accuracy	0.225°
Cruise	1
Sequence	8
Auto pan	4
Proportional pan & tilt	On/ Off
Resume after power loss	Yes
Zone title	16
Home function	Preset, Sequence, Auto pan, Cruise
Auto flip	Mechanical/ Off

Mechanical

Dimension (h x w x d)	Ø7.5 x 10.2in. (with sunshield) (Ø190 x 260 mm)
Weight	2.7 lbs. (1.2 kg)
Color	RAL-9003 (Signal White)

Environmental

Operating Temperature	-22°F to +113°F (-30°C to +45°C)
-----------------------	----------------------------------

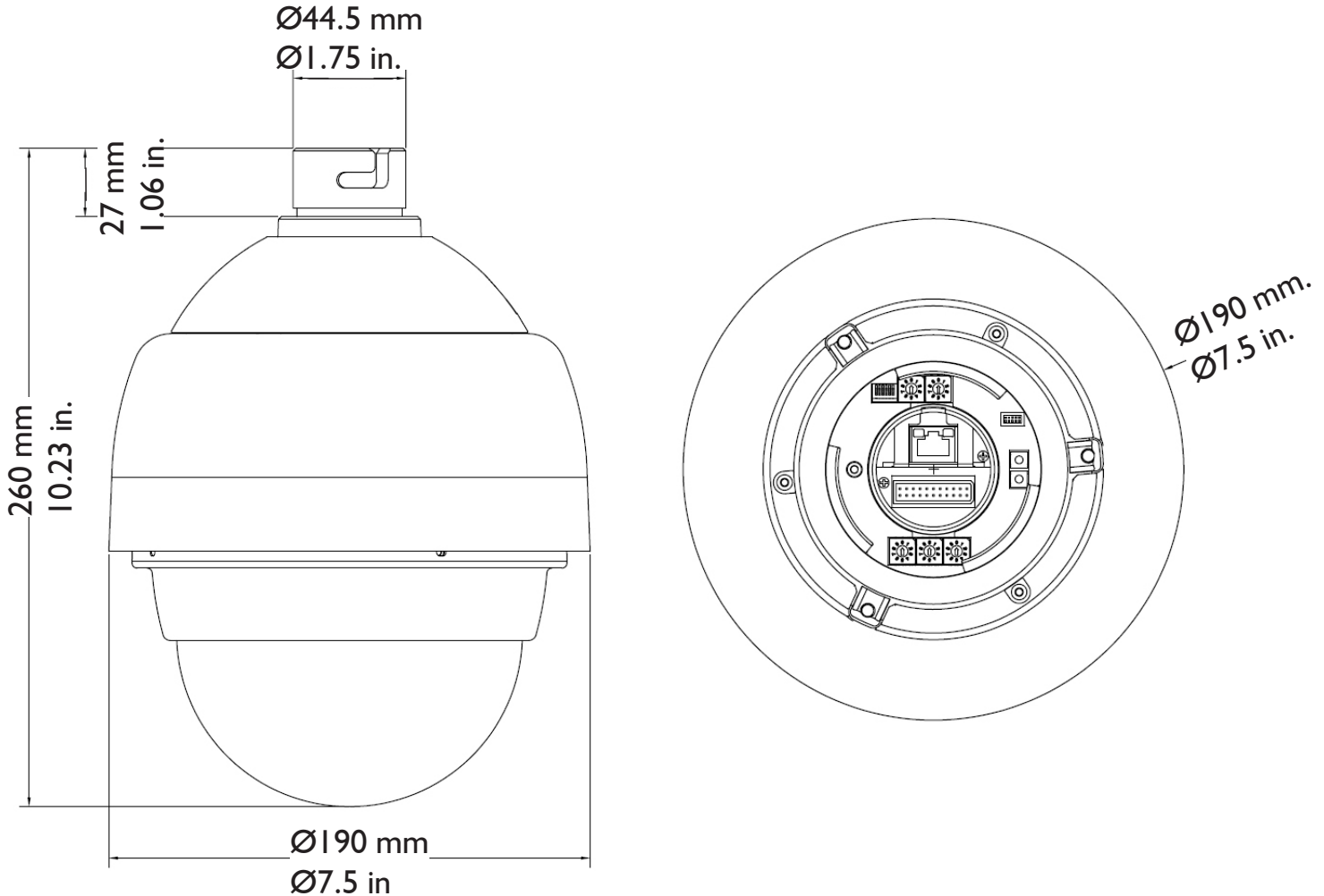
Powering

Power consumption	60W
Power	19.2 - 28.4 VAC (24VAC nominal +/- 20%)

¹Indicated combinations are based on 100% DSP capacity

Siqura MD22

Technical Drawing



Ordering Information Accessories

Model	Description
Siqura PA02 /EU Siqura PA02 /US Siqura PA03	Power adapter 220~235 VAC to 24 VAC /3A for MD- and HD-series with use of heater (outdoor), with EU plug. Power adapter 100~115 VAC to 24 VAC /3A for MD- and HD-series with use of heater (outdoor), US plug. Power adapter 110/220 VAC to 24 VAC /3A in water-resistant housing
Siqura WM01 Siqura WM02 /MD Siqura WM03 Siqura WM05 Siqura WM06	Mini pendant for MD- and HD-series Mount kit for indoor MD-series, compatible with CM01, CM02 and WM03 Gooseneck tube Corner plate, compatible with WM01 and WM03 Wall box mounting, compatible with WM01 and WM03
Siqura PM01 Siqura PM02 Siqura PM03 Siqura PM04 Siqura PM05	Pole thin direct mounting, compatible with WM01 and WM03 Pole wide direct mounting, compatible with WM01 and WM03 Pole thin box mounting, compatible with WM01 and WM03 Pole wide box mounting, compatible with WM01 and WM03 Swan neck tube
Siqura CC13 /IP	1.3M Cable, BNC/Audio/Power jacks, 22 pins for WM03 and PM05

