

MD10A

Mini PTZ dome with day/night (indoor)

Features

- Vandal Resistant Indoor Mini PTZ dome
- 12x Optical Zoom/12 x digital zoom
- Day/Night with IR-cut filter
- Back Light Compensation
- 300°/second Preset targeting
- 360° degree continuous rotation
- 256 presets/8 programmable cruises
- 16 privacy masks
- Contact closures (alarms) - 8 output, 1 input



Description

The Siquira® MD10A is a compact PTZ dome camera in a vandal-resistant housing providing excellent pictures.

Mini Dome

This mini PTZ dome has a 12x autofocus zoom lens with 12x digital zoom. Because the lens can move in almost any direction, this camera offers a wide range of observation without missing the smallest details. In addition, precision 300° per second pan and tilt drive technology offers almost instant preset positioning.

Vandal-Resistant Housing

The Siquira® MD10A is made for indoor applications and is made vandal-resistant by using a robust housing.

Day/Night and Backlight Compensation

The MD10A is provided with an automatic Day/Night functionality, which is used in low light situations and a Backlight Compensation functionality for use in different scenes. This means, the MD10A provides a clear picture for the operator, no matter what the lightning situation is.

Ordering Information

Model

MD10A /N
MD10A /P
PA 01 /EU
PA 01 /US
PA01 /UK
PA02 /EU
PA02 /US
PA02 /UK
CM01
CM02
CM03 /HD
CM04A /MD
WM01A
WM02/HD
WM03A
PTM01

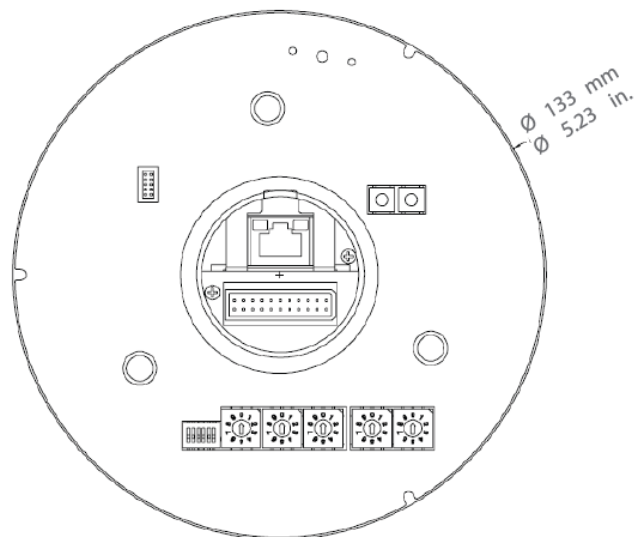
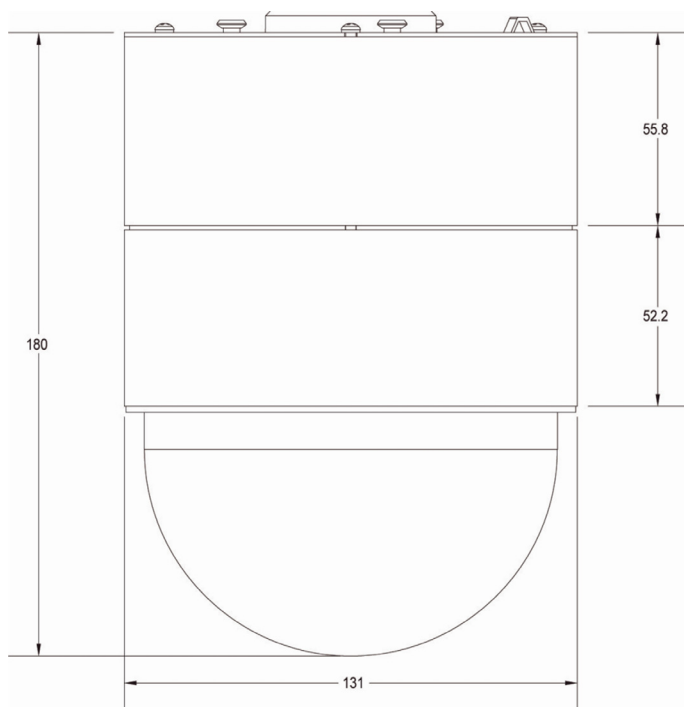
Description

Mini PTZ dome, day/night, vandal-resistant
Mini PTZ dome, day/night, vandal-resistant
Power Supply, 230 VAC, EU plug to 24VAC, Tinned Leads, 1.5A, Indoor
Power Supply, 110 VAC, US plug to 24VAC, Tinned Leads, 1.5A, Indoor
Power Supply, 230 VAC, UK plug to 24VAC, Tinned Leads, 1.5A, Indoor
Power Supply, 230 VAC, EU plug to 24VAC, Tinned Leads, 3.0A, Indoor
Power Supply, 110 VAC, US plug to 24VAC, Tinned Leads, 3.0A, Indoor
Power Supply, 230 VAC, UK plug to 24VAC, Tinned Leads, 3.0A, Indoor
Straight tube 25 cm
Straight tube 50 cm
Hard ceiling mount indoor HD and MD10A/60
Flush mount indoor MD10A/60 series
Mini wall mount for MD-series
Tube adaptor for indoor MD10x/60 and HD-series, compatible with CM01/02, WM01A, WM03A, PTM01
Gooseneck tube
1-1/2" pipe thread adaptor

MD10A

Technical specifications

Mini PTZ dome with day/night (indoor)



Camera

Image sensor	1/4" EXview CCD	
Optical zoom	12x	
Digital zoom	12x	
Resolution	NTSC	PAL
Effective pixels	380k	440k
Horizontal resolution	540 TVL	540 TVL
Electronic shutter	1~1/10k s.	1~1/10k s.

Synchronization	Internal
Video output	1.0 Vpp/75Ω, BNC (gold-plated center pin)
S/N Ratio	>50 dB (AGC off)
Minimum illumination	0.1 lux Color, 0.01 lux (B/W)
Focal length	3.8-45.6mm
Focus mode	Auto/ manual
White balance	Auto/ manual
Iris control	Auto/ manual
AGC control	Auto/ manual
Backlight compensation	On/ Off

Functions

Day/ Night (IR-cut filter)	On/ Off
Privacy masks	16
Wide Dynamic Range	On/Off
Digital slow shutter	On/Off

Control

Control interface	RS485
PTZ protocol	Pelco-D (BI-Directional), Pelco-P, Kalatel, Philips, AD422

Pan/Tilt

Pan travel	360° continuous
Tilt travel	0°~180°
Preset speed	300°/s
Manual speed	0.5°/s
Presets	256 presets
Preset accuracy	0.225°
Cruise	8
Sequence	8
Auto pan	4
Proportional pan & tilt	On/ Off
Resume after power loss	Yes
Zone title	16
Home function	Preset, Sequence, Auto pan, Cruise
Auto flip	Mechanical/ Off

Contact Closures

Inputs	8
Outputs	1
Reactions	Preset, Sequence, Auto pan, Cruise

Mechanical

Dimension (h x w x d)	Ø133 x 172.8 mm (Ø5.2 x 6.8 in.)
Weight	1.2 kg (2.7 lbs.)
Color	RAL-9003 (signal white)

Environmental

Operating Temperature	0°C to +40°C (+32°F to +104°F)
-----------------------	--------------------------------

Powering

Power consumption	14W
Power	24 VAC (+/- 20%)



The quality management system utilized in the development, production, sales and support of this product is ISO 9001:2008 certified by LRQA.

© Optelecom-NKF Version: September 2010 V2 (Second Edition) – Subject to modification

www.siqua.com
www.optelecom-nkf.com