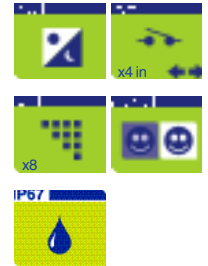


## Features

- 35x Optical Zoom/12x digital zoom
- Day/Night with IR-cut filter
- Backlight Compensation
- Wide Dynamic Range
- 400°/second preset targeting
- 256 presets/8 programmable cruises
- Compass, Azimuth and elevation OSD
- 8 privacy masks
- Pressurized to 7psi; able to hold pressure for up to 1 year
- Low pressure sensor, Schrader and pressure relief valves standard
- IP 67 ingress protection
- 24 VAC



## Description

The Siquira® HSD621PRH provides a robust housing which protects the camera in severe environments where excessive moisture, dirt, and pollution are present. In addition, the advanced features such as Day/Night, Wide Dynamic Range, Backlight Compensation, and image stabilization ensure excellent pictures in the most difficult lighting situations.

### Multi-stream / Multi-codec

The versatile HSD621PRH can simultaneously stream dual H.264 with two flexible encoding outputs which can provide MPEG-2, MPEG-4, and MJPEG streams. Each stream is optimized for its specific purpose. The H.264 implementation uses dedicated hardware to improve video quality while lowering bandwidth requirements.

### Open Streaming Architecture (OSA)

The HSD621PRH complies with worldwide approved standards for streaming video and is tested with different vendors, making third-party integration easy. Its OSA offers standardized streaming video and remote control. The HSD621PRH also supports the unique Siquira® MX™ protocol.

### Camera Health Check & Tampering Alarm

The HSD621PRH is fitted with a unique feature that checks the health of the camera. This image quality monitor analyzes contrast, exposure, sharpness and noise, and immediately alerts an operator for any malfunctioning.

### Superior Protection

The HSD621PRH has an IP67 ingress rating and the housing is constructed of materials designed to withstand intense levels of solar heat (945VA UV protected). Pressurizing the housing, particularly with inert nitrogen gas, will prevent moisture, pollution and dust from damaging the camera.

### Day/Night, Backlight Compensation, and Wide Dynamic Range

The HSD621PRH is provided with an automatic Day/Night functionality, which is used in low light situations and a Backlight Compensation functionality for use in different scenes. This means the HSD621PRH provides a clear picture for the operator, no matter what the lighting situation is. Wide Dynamic Range solves the problem of overlit images by taking the better of two pictures with different light references.

### High-Speed Dome

This high-speed network PTZ dome has a 35x autofocus zoom lens with 12x digital zoom. Precision 400° per second pan and tilt drive technology offers almost instant preset positioning. The robust feature set includes multiple sequences, cruises, and autopan functions.

### Privacy Masks

Privacy masks cover sections of the image and shrink or grow according to the camera's zoom. These are useful in applications such as city center surveillance and point-of-sale keypads.

## Ordering Information

### Models

HSD621PRH/N  
HSD621PRH/P

### Description

High-Speed Dome, Outdoor, Pressurized Hsg, 35x Opt. Zoom, Dual Stream H264, NTSC  
High-Speed Dome, Outdoor, Pressurized Hsg, 35x Opt. Zoom, Dual Stream H264, PAL

# HSD621PRH

## Technical specifications

# Pressurized IP PTZ dome with D/N, WDR

### Camera

Image sensor	1/4" CCD	
Optical zoom	35x	
Digital zoom	12x	
Resolution	NTSC	PAL
Effective pixels	380k	440k
Horizontal resolution	540 TVL	540 TVL
D1	720x480	720x576
½D1	352x480	352x576
2CIF	720x240	720x288
CIF	352x240	352x288
QCIF	176x120	176x144
Electronic shutter	1~1/30k s.	1~1/30k s.
Synchronization	Internal/line lock	
Video output	1.0 Vpp/75Ω, BNC (gold-plated center pin)	
S/N ratio	>50 dB (AGC off)	
Minimum illumination	0.1 lux (color), 0.01 lux (B/W)	
Focal length	3.5~119mm	
Focus mode	Auto/ manual	
White balance	Auto/ manual	
Iris control	Auto/ manual	
AGC control	Auto/ manual	
Backlight compensation	On/ Off	

### Functions

Motion detection	On/ Off
Day/ Night (IR-cut filter)	On/ Off
Digital slow shutter	On/ Off
Electronic image stabilizer	On/ Off (5hz/10Hz)
Wide Dynamic Range	On/ Off (Ratio/Shutter/Iris levels 0-128)
Privacy masks	8 (Black/White/Mosaic (3 levels))
PTZ coordinate data	Via API or Pelco-D (set/get)
Directional OSD	Compass direction, Azimuth, Elevation

### Contact Closures

Inputs	4 (3 general, 1 low pressure)
Reactions	Preset, Sequence, Auto pan, Cruise

### Network

Interface Options	RJ-45
Protocols	H.264 BP, MPEG-4 ES, MPEG-2, RTP, UDP, IP, DHCP, IGMPv2, RTSP, (S)NTP, MX/IP, HTTP, SNMP v2, DiffServ, SAP, UPnP

### Mechanical

Dimension (h x w x d)	366 x 285 x Ø285 mm (14.4 x 11.2 x Ø11.2 in)
Weight	5 kg (11 lbs.)
Color	White/Black

### Materials

Housing	Polycarbonate, glass-filled
Bubble	Clear, Polycarbonate 0.115" thick

### Video

Number of video streams	2x H.264, 2x MPEG-4, MPEG-2, and/or MJPEG
Frame rate	1 to 30 fps
Compression algorithm	H.264 BP (ISO/IEC 14496-10) MPEG-4 SP Layer 5 (ISO/IEC 14496-2), MJPEG
Type of streaming	UDP/IP (multicast and/or unicast)
Number of output streams	Up to 20
Video Motion Detection	Yes (user-defined masking)
Encoding latency	<130 ms typ
GOP structure	I, IP (selectable/user profiles)
Quad streaming	D1@30fps H.264 + D1@30fps MPEG-4 + CIF@1fps MJPEG
Output data rate	up to 20 Mb/s (CBR or VBR selectable/user profiles)
Video settings	User profiles, contrast, brightness, color saturation, hue, sharpness
Video overlay	3x Text lines (configurable: position, color, border/outline color, font size), 1x image in BMP, GIF, or JPEG format (configurable: position, scaling)

### Pan/Tilt

Pan travel	360° continuous
Tilt travel	-10° ~ 190°
Preset speed	400%/s
Manual speed	0.5° ~ 90°/s
Presets	256 presets
Preset accuracy	+/- 0.100°
Cruise	8
Sequence	8
Auto pan	4
Proportional pan and tilt	On/ Off
Resume after power loss	Yes
Zone title	16
Home function	Preset, Sequence, Auto pan, Cruise
Auto flip	Digital/Mechanical/Off Compass Direction, Azimuth, Elevation

### Environmental

Operating temperature	Continuous -45° C to +50° C (-49° F to +122° F) 60° C. maximum
Heater activation	15° C - 27° C (60° F - 80° F)
Operating Humidity	Up to 100%
Ingress protection	IP67
Effective projected area	~0.12 m²

### Powering

Power consumption	80W
Power	24 VAC

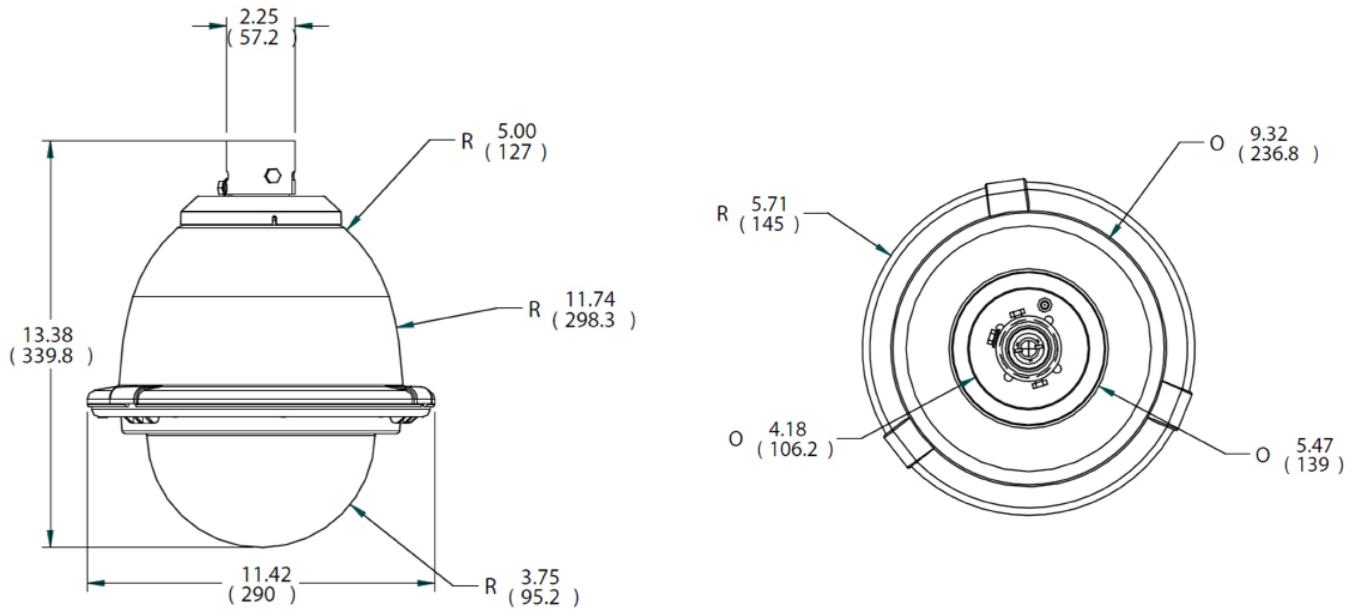


The quality management system utilized in the development, production, sales and support of this product is ISO 9001:2008 certified by LRQA.

© Siqura Version: August 2011 V2.0 (Second Edition) – Subject to modification



member of the TKH Group



Ordering Information Accessories

Models	Description
WM01A	Mini wall mount for HD-series
WM03A	Gooseneck tube
WM05	Corner plate, compatible with WM01A and WM03A
WM06	Wall box mounting, compatible with WM01A and WM03A
PM01	Pole thin direct mounting, compatible with WM01A and WM03A
PM02	Pole wide direct mounting, compatible with WM01A and WM03A
PM03	Pole thin box mounting, compatible with WM01A and WM03A
PM04	Pole wide box mounting, compatible with WM01A and WM03A
PM05	Swanneck tube
PTM01	1-1/2" pipe thread adaptor



The quality management system utilized in the development, production, sales and support of this product is ISO 9001:2008 certified by LRQA.  
 © Siquira Version: August 2011 V2.0 (Second Edition) – Subject to modification



member of the TKH Group