

Features

- 26x Optical Zoom/12x digital zoom
- Day/Night with IR-cut filter
- Backlight Compensation
- Wide Dynamic Range
- 400°/second Preset targeting
- 256 presets/8 programmable cruises
- Compass, Azimuth and Elevation OSD
- 24 privacy masks
- Pressurized to 7psi; able to hold pressure for up to 1 year
- Low pressure sensor, Schrader and pressure relief valves standard
- IP67 Ingress protection
- 24 VAC



Description

The Siquira® HD10APRH provides a robust housing which protects the camera in severe environments where excessive moisture, dirt, and pollution are present. In addition, the advanced features such as Day/Night, Wide Dynamic Range, and Backlight Compensation ensure excellent pictures in the most difficult lighting situations.

High-Speed Dome

This high-speed network PTZ dome has a 26x autofocus zoom lens with 12x digital zoom. Precision 400° per second pan and tilt drive technology offers almost instant preset positioning. The robust feature set includes multiple sequences, cruises, and autopan functions.

Superior Protection

The HD10APRH has an IP67 ingress rating and the housing is constructed of materials designed to withstand intense levels of solar heat (945VA UV protected). Pressurizing the housing, particularly with inert nitrogen gas, will prevent moisture, pollution and dust from damaging the camera.

Day/Night, Backlight Compensation, and Wide Dynamic Range

The HD10APRH is provided with an automatic Day/Night functionality, which is used in low light situations and a Backlight Compensation functionality for use in different scenes. This means the HD10APRH provides a clear picture for the operator, no matter what the lighting situation is. Wide Dynamic Range solves the problem of overlit images by taking the better of two pictures with different light references.

Privacy Masks

Privacy masks cover sections of the image and shrink or grow according to the camera's zoom. This feature is often requested for situations such as city center surveillance.

Ordering Information

Models

HD10APRH /N
 HD10APRH /P
 PA03 /EU
 PA03 /US
 WM01A
 WM02 /HD
 WM03A
 WM05
 WM06
 PM01
 PM02
 PM03
 PM04
 PM05
 PTM01

Description

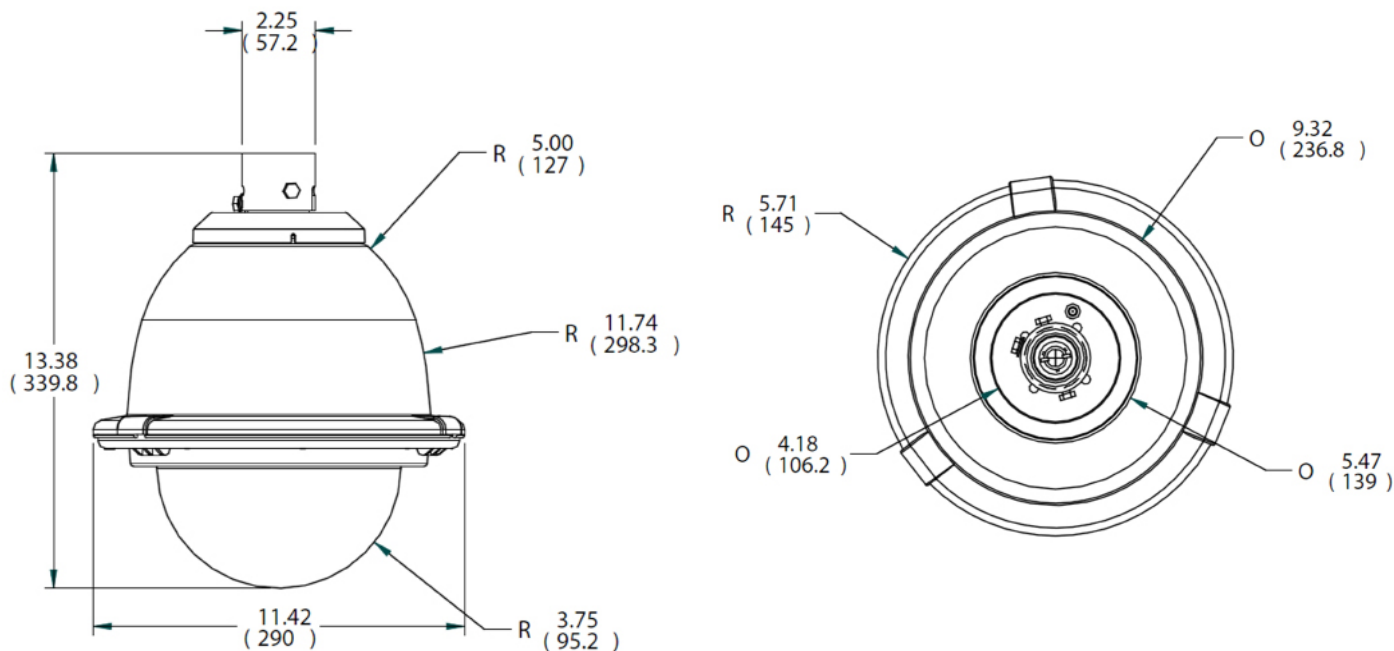
High-Speed Dome, Outdoor, Pressurized Hsg, 26x Opt. Zoom, Analog, NTSC
 High-Speed Dome, Outdoor, Pressurized Hsg, 26x Opt. Zoom, Analog, PAL
 Power Supply, 230 VAC to 24VAC, Tinned Leads, 3.0A, Outdoor (IP66)
 Power Supply, 110 VAC to 24VAC, Tinned Leads, 3.0A, Outdoor (IP66)
 Mini wall mount for HD-series
 Tube adapter for HD-series, compatible with CM01/02, WM01A/03A, PTM01
 Gooseneck tube
 Corner plate, compatible with WM01A and WM03A
 Wall box mounting, compatible with WM01A and WM03A
 Pole thin direct mounting, compatible with WM01A and WM03A
 Pole wide direct mounting, compatible with WM01A and WM03A
 Pole thin box mounting, compatible with WM01A and WM03A
 Pole wide box mounting, compatible with WM01A and WM03A
 Swanneck tube
 1-1/2" pipe thread adapter

*WM02 is included with each outdoor MD, MSD, HD and HSD camera.

HD10APRH

Pressurized PTZ dome with day/night (outdoor)

Technical specifications



Camera

Image sensor	1/4" ExView CCD	
Optical zoom	26x	
Digital zoom	12x	
Resolution	NTSC	PAL
Effective pixels	380k	440k
Horizontal resolution	530 TVL	530 TVL
Electronic shutter	1~1/10k s.	1~1/10k s.

Synchronization	Internal/ line lock
Video output	1.0 Vpp/75Ω, BNC (gold-plated center pin)
S/N ratio	>50 dB (AGC off)
Minimum illumination	0.09 lux color, 0.01 lux (b/w)
Focal length	3.5~91 mm
Focus mode	Auto/ manual
White balance	Auto/ manual
Iris control	Auto/ manual
AGC control	Auto/ manual
Backlight compensation	On/ Off

Functions

Day/ Night (IR-cut filter)	On/ Off
Digital slow shutter	On/ Off
Electronic image stabilizer	On/ Off
Wide Dynamic Range	On/ Off
Privacy masks	24
PTZ coordinate data	Via Pelco-D
Directional OSD	Compass direction, Azimuth, Elevation

Contact Closures

Inputs	2 (1 general, 1 low pressure)
Reactions	Preset, Sequence, Auto pan, Cruise

Network

Interface	RS-485
Protocol	Pelco-D (Bidirectional), Pelco-P, Kalatel, Philips, AD422

Pan/Tilt

Pan travel	360° continuous
Tilt travel	-10°~190°
Preset speed	400°/s
Manual speed	0.5°~90°/s
Presets	256 presets
Preset accuracy	+/- .100°
Cruise	8
Sequence	8
Auto pan	4
Proportional pan and tilt	On/ Off
Resume after power loss	Yes
Zone title	16
Home function	Preset, Sequence, Auto pan, Cruise
Auto flip	Digital/ Mechanical/ Off

Mechanical

Dimension (h x w x d)	366 x 285 x Ø285 mm (14.4 x 11.2 x Ø11.2 in)
Weight	5 kg (11 lbs.)
Color	White/Black

Materials

Housing	Polycarbonate, glass-filled
Bubble	Clear, Polycarbonate 0.115" thick

Environmental

Operating Temperature	-45° C to +50° C (-49° F to +122° F)
	60° C. maximum
Ingress protection	IP67
Effective projected area	~0.12 m²

Powering

Power consumption	80W
Power	24VAC



The quality management system utilized in the development, production, sales and support of this product is ISO 9001:2008 certified by LRQA.

© Siqura Version: August 2011 V2.0 (Second Edition) – Subject to modification



member of the TKH Group