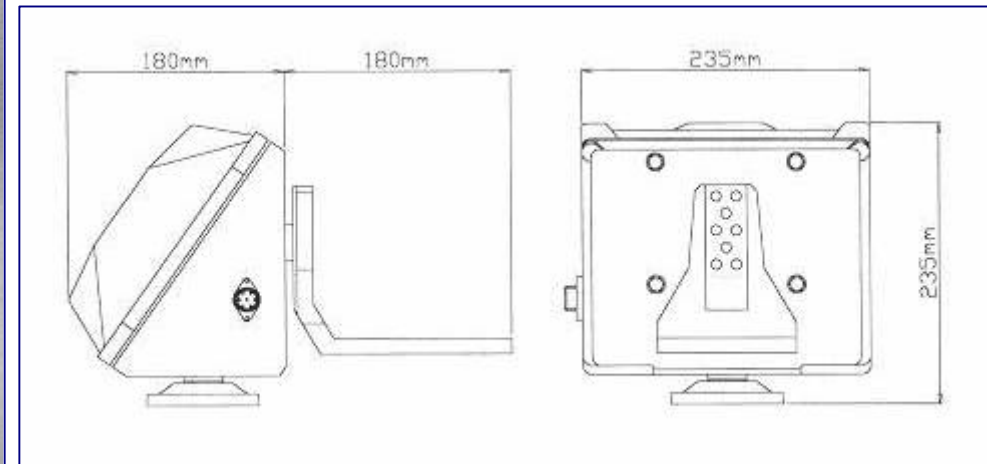
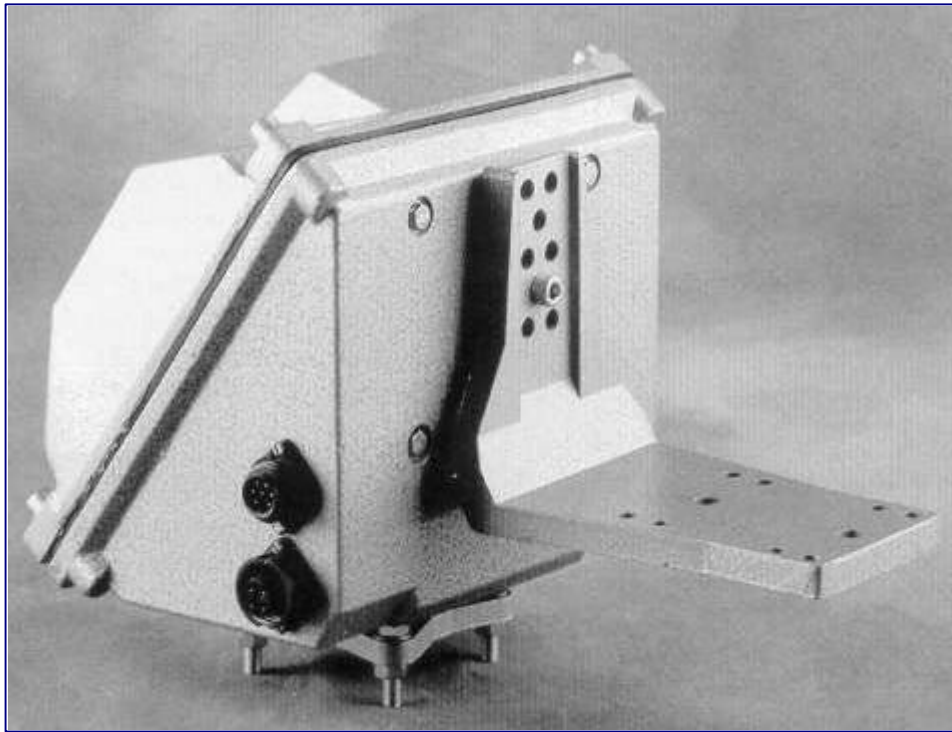


[[Up](#)] [[Prince PT 165](#)] [[PT 165 Integral Housing](#)] [[Earl PT 565](#)] [[Baron PT 365](#)] [[Duke PT 461](#)]

BARON PT 365



The **Shawley** Baron PT 365 head is a side mount unit, specifically designed for heavy load applications such as industrial and commercial installations which require a robust and reliable pan and tilt with first class performance.

FEATURE	PT 365 DC	PT 365 AC
Construction	Aluminium die castings	Aluminium die castings
Weatherproof	To IP66 (equal to heavy seas)	To IP66 (equal to heavy seas)
Sealing	Double edge lip seals on shafts and gaskets between lid and body	Double edge lip seals on shafts and gaskets between lid and body
Gearing	All steel precision gear train with stainless steel shafts	All steel precision gear train with stainless steel shafts
Motors	Ironless rotor	Permanent magnet synchronous
Pan Speed	0-40° per second	7.5° per second
Tilt Speed	0-16° per second	2.5° per second
Pan Breaking Torque		127 kgs cm
Tilt Breaking Torque		340 kgs cm
Backlash	Better than 0.2°	Better than 0.2°
Overrun	Nil	Nil
Pan Angle	360°	360°
Tilt Angle	360° (std)	360° (std)
Platform Adjustment	Series of holes in vertical plane platform	Series of holes in vertical plane platform
Limit Adjustment	Internal fingers	Internal fingers
Mounting Details	4 holes 8.7mm diam on 101.6mm (4") PCD (NB unit can be inverted)	4 holes 8.7mm diam on 101.6mm (4") PCD (NB unit can be inverted)
Weight	9.5kg	9.5kg
Power Consumption	1.5 Amp per motor	9vA per motor
Operating Temperatures	-20°C to +50°C	-20°C to +50°C
Connector	7 pin	7 pin
Carrying Capacity	35 kg (balanced load)	40 kg (balanced load)
Recommended Brackets	WB/FP for flat wall or corner mount	WB/FP for flat wall or corner mount

- Maximum carrying capacity of 40 kg
- IP66 weatherproof standard approval
- Precision ball bearings to ensure the unit remains square on both axes
- Stainless steel shafts and fittings eliminate corrosion
- Internal limit adjustment gives resilience to extreme weather conditions
- Limit adjustment can be made with full load in place
- All metal gear transmission
- Low backlash for stability in high winds
- Heavy duty synchronous motors (AC version)
- Ironless rotor motors (DC version)
- DC version provides high and variable speed performance
- Full two year warranty (one year for units with autopan or continuous rotation)
- Operating voltages from 12v DC to 240v AC
- Choice of pan and tilt speeds
- Standard or heavy-duty presets
- Autopan
- Continuous rotation
- Colour options to specification
- Alternative connectors available on request

[[Up](#)] [[Prince PT 165](#)] [[PT 165 Integral Housing](#)] [[Earl PT 565](#)] [[Baron PT 365](#)] [[Duke PT 461](#)]

email [Shawley Webmaster](#) with questions or comments about this site.