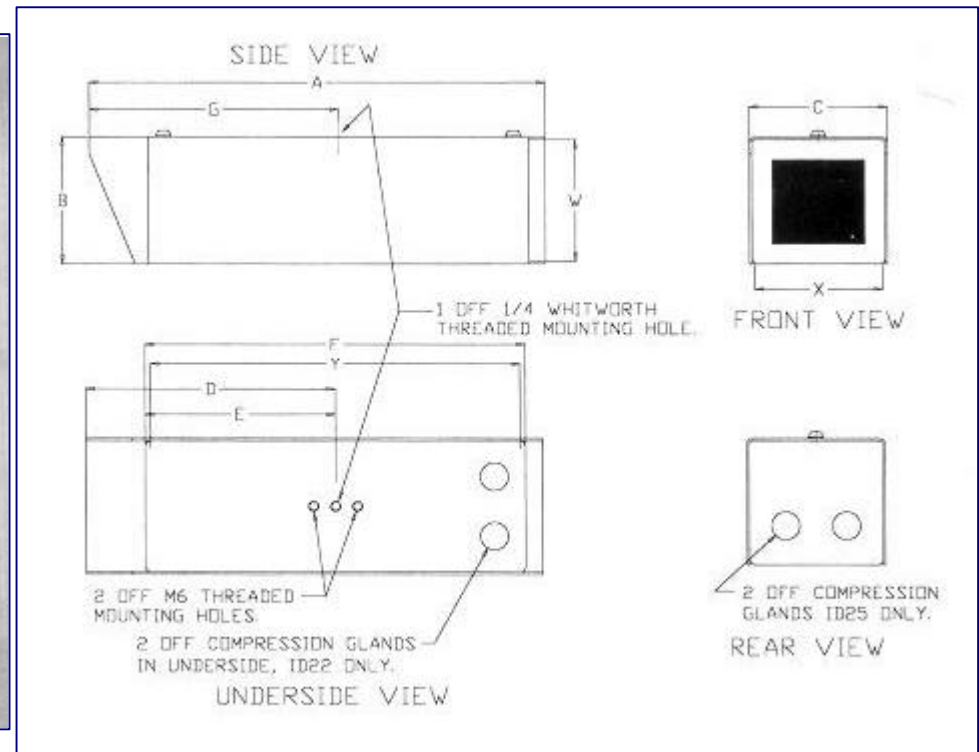
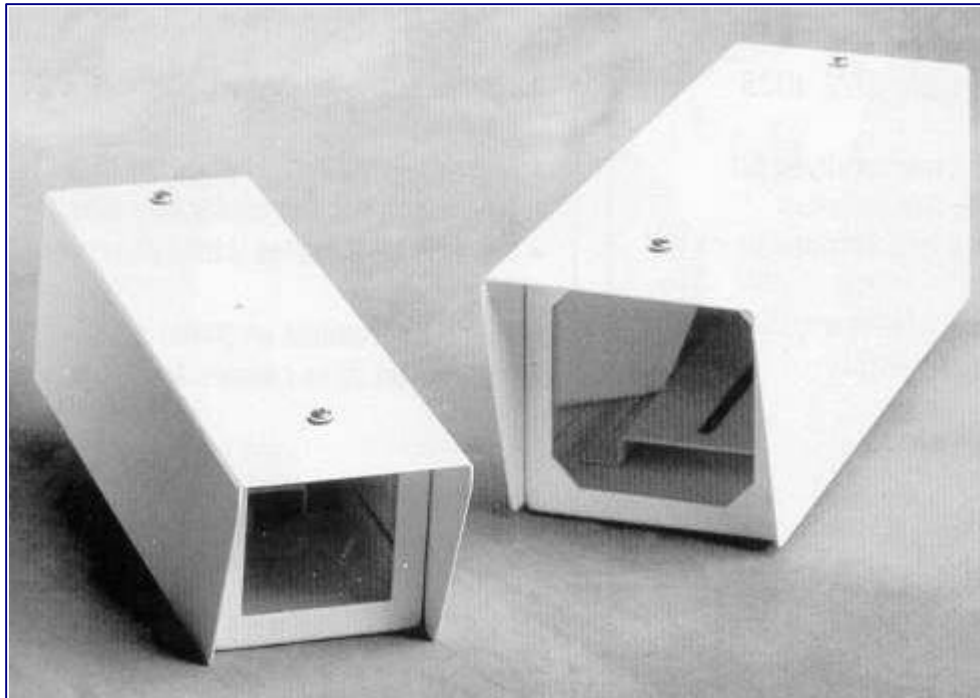


[ [Up](#) ] [ [CH9, CH10 & CH11](#) ] [ [CH8, CH12, CH13 & CH14](#) ] [ [CH15 & CH16](#) ] [ [Extruded Housings](#) ] [ [Internal Housings](#) ] [ [Dummy Housings](#) ]

## INTERNAL CAMERA HOUSINGS - ID22 & ID25



The ID range of camera housings is specifically designed for internal applications only. They provide dust proof enclosures which are ideal for static cameras with fixed focal lengths. The ID22 and ID25 are supplied with an adjustable camera platform, two cable glands and an 8-way terminal block. The housings are designed to be fitted either as a wall or ceiling mount unit.

<b>Dimensions in mm</b>	<b>ID22</b>	<b>ID25</b>
<b>A</b>	270	334
<b>B</b>	76	101
<b>C</b>	82	104
<b>D</b>	148	184
<b>E</b>	112	140
<b>F</b>	225	279
<b>G</b>	148	184
<b>W</b>	73	98
<b>X</b>	75	97
<b>Y</b>	222	276
<b>Weight</b>	0.5 kg	0.75 kg

[ [Up](#) ] [ [CH9, CH10 & CH11](#) ] [ [CH8, CH12, CH13 & CH14](#) ] [ [CH15 & CH16](#) ] [ [Extruded Housings](#) ] [ [Internal Housings](#) ] [ [Dummy Housings](#) ]

email [Shawley Webmaster](#) with questions or comments about this site.