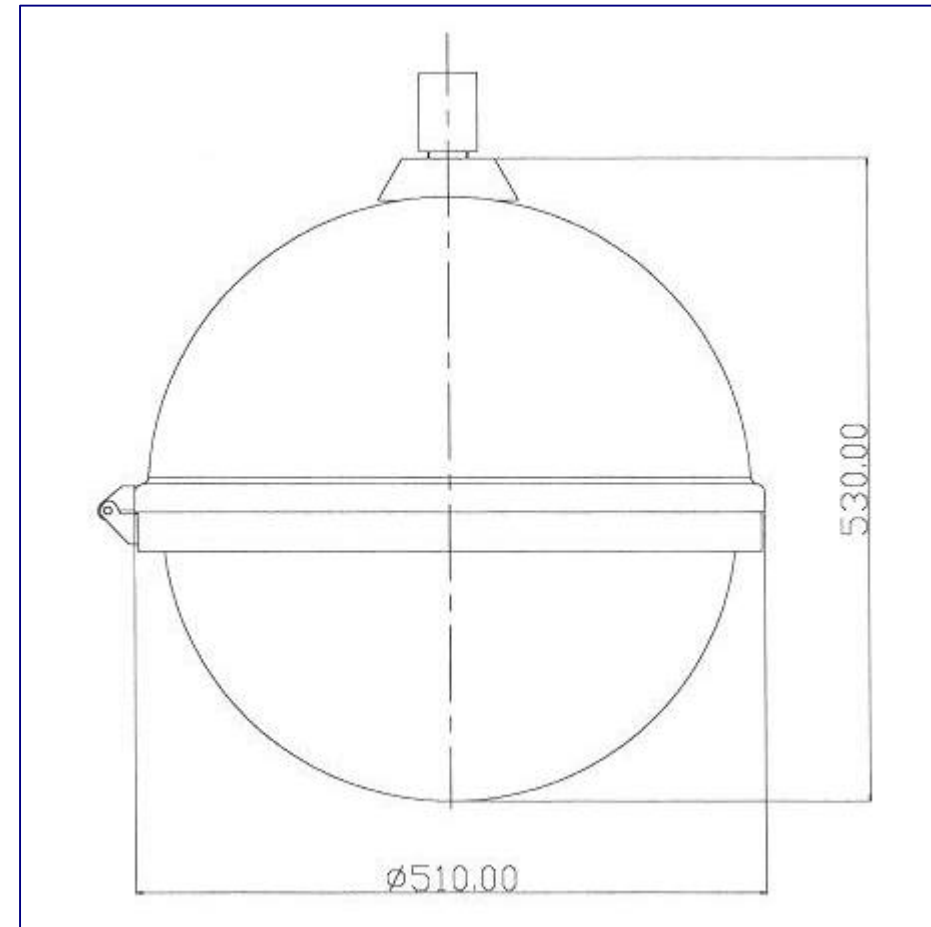
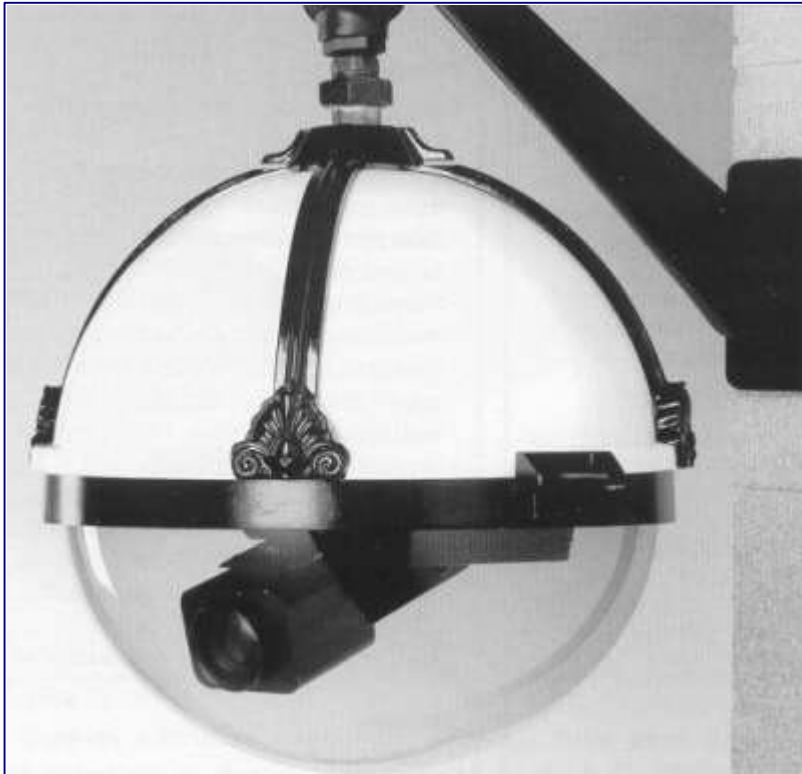


[[Up](#)] [[Video over GSM: OCTV](#)] [[Remote Sentinel](#)] [[Pan & Tilt Heads](#)] [[External Domes](#)] [[Internal Domes](#)] [[Camera Housings](#)] [[Housing Accessories](#)] [[IR Illuminators](#)] [[Electronic Products](#)] [[Flameproof Range](#)] [[Brackets](#)]

EXTERNAL DOMES: MONARCH ED



The Monarch range of surveillance domes is designed to satisfy the increasing demand for discreet external surveillance. Monarch is specifically aimed at either contemporary or traditional applications where there is a need for architectural sensitivity. A range of

product options is available to meet all varying technical requirements.

FEATURE	MONARCH ED DC	MONARCH ED AC
Construction	Aluminium upper hemisphere Acrylic lower hemisphere	Aluminium upper hemisphere Acrylic lower hemisphere
Weatherproof	To IP66 (equal to heavy seas)	To IP66 (equal to heavy seas)
Pan Speed	0-60° per second variable	8.5° per second std, 13 optional
Tilt Speed	0-10° per second variable	2.5° per second std
Backlash	Better than 0.15°	Better than 0.15°
Pan Angle	360°	360°
Tilt Angle	90°	90°
Limit Adjustments	Internal fingers	Internal fingers
Mounting Details	1" BSP mounting thread	1" BSP mounting thread
Weight	11 kg	11 kg
Power Consumption	Max 16W @ full voltage per motor plus 20W with heater and fan options	12vA per motor
Operating Temperatures	-20°C to +50°C	-20°C to +50°C
Carrying Capacity	6 kg	6 kg
Maximum internal camera length (inc. BNC leads)	380 mm	380 mm

- Attractive 500mm split sphere arrangement with a clear lower hemisphere
- Spun aluminium upper hemisphere for strength, rigidity and durability
- Acrylic lower hemisphere
- High and variable speed versions for optimum response to alarm and user control
- Maximum flexibility with wide range of speed, voltage and special function options
- High quality design and build for sustained trouble free operation
- Easy installation with no servicing or maintenance required
- Full two year warranty (one year for units with autopan or continuous rotation)
- Continuous rotation
- Standard or heavy duty presets
- Autopan
- Clear with shroud or silver lower hemisphere
- Choice of voltages - 12v DC to 240v AC

[[Up](#)] [[Video over GSM: OCTV](#)] [[Remote Sentinel](#)] [[Pan & Tilt Heads](#)] [[External Domes](#)] [[Internal Domes](#)] [[Camera Housings](#)] [[Housing Accessories](#)] [[IR Illuminators](#)] [[Electronic Products](#)] [[Flameproof Range](#)] [[Brackets](#)]

email [Shawley Webmaster](#) with questions or comments about this site.