

H.264 4CIF Real-Time WDR Network Camera

SNC-B2335 NEW



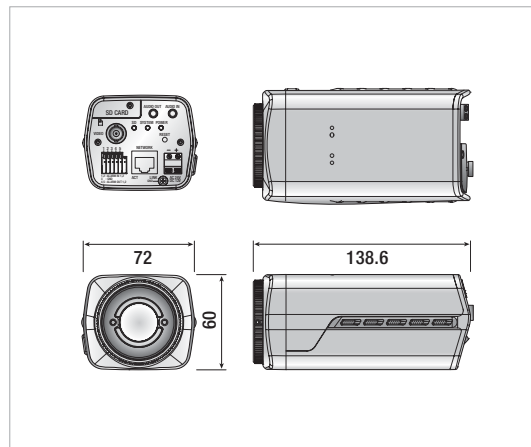
Features

- Real-time 30(25)fps at High Resolution(4CIF)
- H.264, MPEG-4 & MJPEG Multiple Encoding
- Progressive Scan
- Day/Night Function(ICR)
- WDR (Wide Dynamic Range)
- Bi-directional Audio Support
- SD Memory Slot for Internal Recording
- Intelligent Video Analytics
- XDR (eXtended Dynamic Range)
- Motion Adaptive DNR (Dynamic Noise Reduction)
- Privacy Mask (12 ea)
- DIS (Digital Image Stabilizer)
- PoE (Power over Ethernet)

Specifications (Camera)

Model		SNC-B2335
Camera Type	Color/BW	Color
Image	Device	Super-HAD PS CCD
	Size	1/3 inch
	Scan	Progressive Scan(When WDR ON, Interlaced Scan)
	Pixels	Total NTSC : 811 x 508 / PAL : 795 x 596 Effective NTSC : 768 x 494 / PAL : 752 x 582
Scanning	Horizontal	Internal Mode NTSC : 15,734 Hz / PAL : 15,625 Hz
	Frequency	Line-lock Mode NTSC : 15,750 Hz / PAL : 15,625 Hz
	Vertical	Internal Mode NTSC : 59.94 Hz / PAL : 50 Hz
	Frequency	Line-lock Mode NTSC : 60 Hz / PAL : 50 Hz
Min. Scene Illumination @ F1.2	Color	Sens Off 0.12 Lux(15IRE), 0.2 Lux(30IRE), 0.4Lux(50IRE)
		Sens Up 512x 0.00023Lux(15IRE), 0.0005Lux(30IRE), 0.0008Lux(50IRE)
	B/W	Sens Off 0.012Lux(15IRE), 0.02Lux(30IRE), 0.04Lux(50IRE) Sens Up 512x 0.000023Lux (15 IRE), 0.00005Lux(30IRE), 0.00008Lux(50IRE)
Functions (OSD Menu)	Number of Privacy Zone	12 (Polygonal Method)
	Day/Night	Color / BW / AUTO / EXT (IR Cut Filter)
	eXtended Dynamic Range(XDR)	Off/On (Level Setting)
	Wide Dynamic Range(WDR)	NTSC : Off/On (128x) / PAL : Off/On (160x)
	D-Zoom	1x ~ 16x (0.1x STEP)
	PIP	Off/On
	High Speed Shutter	NTSC : 1/60 ~ 1/10Ksec / PAL : 1/50 ~ 1/10Ksec
	Flickerless	Off/On
	Sens Up	2x ~ 512x
	BLC	Off/On (Area Setting)
	AGC	Off/On (Max.Level Setting)
	White Balance	ATW1 / ATW2 / AWC / 3200K / 5600K
	Digital Noise Reduction(DNR)	Off/On (Adaptive 3D+2D)
	Digital Image Stabilizer(DIS)	Off/On
Camera ID	Off/On (Max.54ea/2Line)	
Etc. Function	Detail, Reverse(H/V), Posi/Nega	
Resolution	Horizontal 600 TV Lines	
Video Output	VBS 1.0Vp-p VBS 1.0Vp-p	
S/N Ratio	S/N Ratio 52 dB	
Lens	Lens Drive Type	MANUAL/AI(VIDEO/DC)
	Mount Type	CS/C
Environmental Conditions	Operating Temperature	-10°C ~ +50°C
	Operating Humidity	Less than 90%
Power	Power Requirement	AC24V, DC12V, PoE
	Power Consumption	8W
	LED Indicator	Yes
Physical Specification	Dimensions (WxHxD) 72 x 60 x 138.6 mm	
	Weight	Net 310g
	Color	Body Silver

Dimensions (unit:mm)



Specifications (Network)

Model		SNC-B2335	
Network Board	OS	Embedded Linux	
	Hardware	Flash memory	32M byte
		RAM	256M byte
		Ethernet	RJ-45 (10/100BASE-T)
		Video Out	VBS 1.0Vp-p
		Audio	Line In / Line Out
		SD Memory Slot	Yes (SD/SDHC)
	PoE	Yes (IEEE802.3af)	
Alarm	Input	2 ea	
	Output	2 ea	
Video	Compression	H.264 / MPEG4 / MJPEG Multiple Codec(H.264 / MPEG4 selectable) Simultaneous Dual Streaming	
	Resolution	4CIF	NTSC : 704x480 / PAL : 704x576
		VGA	640x480
		CIF	NTSC : 352x240 / PAL : 352x288
Frame Rate	NTSC : 30, 15, 8, 3, 1 fps / PAL : 25, 13, 6, 3, 1 fps		
	Quality	1 ~ 10 level (CBR/VBR)	
Audio	Compression	G.711	
	Bi-Directional Communication	Yes	
OSD	Camera Control and Adjustment	OSD menu on Video (Menu enter/exit, move by Web UI)	
Motion Detection	Sensitivity and Area Setting	High, Medium, Low	
Intelligent Video Analytics	Scene Change, Virtual Line, Enter / Exit, Appear / Disappear		
Protocol	IP	IPv4 / IPv6	
	Network Protocol	IPv4	TCP/IP, UDP/IP, RTP(UDP), RTP(TCP), RTSP, NTP, HTTP, HTTPS, SSL, DHCP, PPPoE, FTP, SMTP, ICMP, IGMP, SNMPv1/v2c/v3(MIB-2), ARP, DNS, DDNS
		IPv6	TCP/IP, HTTP, HTTPS, SSL, DHCP
	Streaming	Unicast, Multicast	
	Security	HTTPS(SSL) Login Authentication, Digest Login Authentication, IP Address Filtering	
	DDNS	Supporting Samsung DDNS and Public DDNS services	
Connection	Maximum User Access	Max 10 Users at Unicast Mode, Max 20 Users at Multicast Mode	
	User Access Level	Administrator	Live Monitoring, Alarm I/O control, OSD menu control, SETUP
		Operator	Live Monitoring, Alarm I/O control
User		Live Monitoring	
Event Management	Alarm Input	JPEG Image transfer : FTP	
	Intelligent Video Detection	JPEG Image Recording : SD memory	
	Motion Detection	Notification : notify to viewer or by E-mail (one image attachment), Alarm Out	
	Schedule	JPEG Image transfer : FTP, E-mail / JPEG Image Recording : SD memory	
Web Browser Viewer(Default)	Supported OS	Windows XP, VISTA	
	Supported Browser	Internet Explorer 6.0 or Higher	
	UI Language	E / F / G / S / I / C / K	
	S/W upgrade	Using Web viewer UI	
Video Player	RTP/RTSP streaming	Quicktime, VLC player	
Video Management Software	Samsung NET-i, 3rd Party S/W application		
Application	IP Installation	IP Installer Application for All Samsung IP Devices	
SDK	HTTP API	CGI Command	Provides functionality to control cameras and set/retrieve internal parameter values.
			Get JPEG image or MJPEG stream, Alarm In/Out control
	RTP/RTSP API		RTP Header, RTSP Command Document
	ActiveX	SDK	ActiveX API for viewing data streams from Network camera