

High performance, Stylish indoor dome



High Resolution WDR Varifocal Dome Camera

SCD-3081



Equipped with our latest SV-V DSP chipset, the SCD-3081 achieves vivid images at 650TV lines resolution. At low light levels of 0.1ux, it delivers crystal clear video. In addition, the SCD-3081 provides maximum flexibility for installation with its built-in coaxial control compatibility, VPS (Virtual Progressive Scan) and intelligent video analytics.

- High resolution of 650TV lines, 700TV lines (B/W)
- Min. illumination 0.1Lux@F1.2 (Color), 0.01Lux (B/W)
- 3.9x V/F lens (2.8 ~ 11mm), WDR, VPS, intelligent Video
- True Day/Night (ICR), MD, SSNRIII (3D+2D)
- Coax : Pelco-C

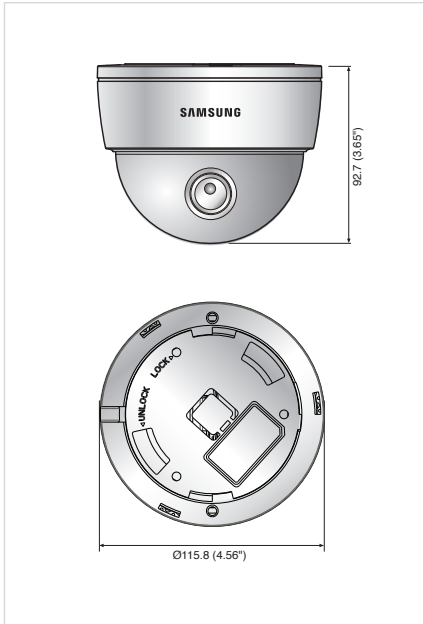
High Resolution WDR Varifocal Dome Camera

SCD-3081



Dimensions

Unit : mm (inch)



Specifications

	SCD-3081N	SCD-3081P
VIDEO		
Imaging Device	1/3" Super HAD CCD (Double scan)	
Total Pixels	811(H) x 508(V)	795(H) x 596(V)
Effective Pixels	768(H) x 494(V)	752(H) x 582(V)
Scanning System	2 : 1 Interlace	
Synchronization	Internal / Line lock	
Frequency	H : 15.734KHz / V : 59.94Hz	H : 15.625KHz / V : 50Hz
Horizontal Resolution	Color : 650TV lines, B/W : 700TV lines	
Min. Illumination	Color : 0.1Lux@F1.2 (50IRE), 0.0002Lux (Sens-up, 512x) B/W : 0.01Lux@F1.2 (50IRE), 0.00002Lux (Sens-up, 512x)	
S / N Ratio	52dB (AGC off, Weight on)	
Video Output	CVBS : 1.0 Vp-p / 75Ω composite	
LENS		
Focal Length (Zoom Ratio)	2.8 ~ 11mm (3.9x)	
Max. Aperture Ratio	1 : 1.2(Wide) ~ 2.8(Tele)	
Angular Field of View	H : 94°(Wide) ~ 26°(Tele) / V : 67°(Wide) ~ 20°(Tele)	
Min. Object Distance	0.2m (0.66ft)	
Lens Type	DC auto iris	
Mount Type	Board type	
PAN / TILT		
Pan Range	0° ~ 340°	
Tilt Range	0° ~ 73°	
Rotate Range	0° ~ 340°	
OPERATIONAL		
On Screen Display	English, Japanese, Spanish, French, Portuguese, Taiwanese, Korean	English, French, German, Spanish, Italian, Chinese, Russian, Polish, Czech, Romanian, Serbian, Swedish, Danish, Turkish, Portuguese
Camera Title	Off / On (Displayed 15 characters)	
Day & Night	Auto (ICR) / External / Color / B/W	
Backlight Compensation	Off / User BLC / HLC / SDR / WDR	
Wide Dynamic Range	128x (52DB)	160x (52DB)
Contrast Enhancement	SSDR (Off / On)	
Digital Noise Reduction	SSNRIII (Off / On)	
Digital Image Stabilization	Off / On	
Motion Detection	Off / On (8 programmable zones)	
Privacy Masking	Off / On (12 programmable zones)	
Sens-up (Frame Integration)	2x ~ 512x	
Gain Control	Off / Low / High	
White Balance	ATW / Outdoor / Indoor / Manual / AWC (1,700K° ~ 11,000K°)	
Electronic Shutter Speed	1/60 ~ 1/120,000sec	1/50 ~ 1/120,000sec
Digital Zoom	Off / On (1x ~ 16x)	
Flip	Vertical / Horizontal	
Profile	Basic / Day & Night / Backlight / ITS / Indoor / User	
VPS	Off / On	
Intelligent Video	Fixed / Moved / Area / Fence / Tracking / Detection / Counting	
PIP	Off / On	
Alarm	1 Out	
Communication	Coaxial control	
Protocol	Coax : Pelco-C (Coaxitron)	
ENVIRONMENTAL		
Operating Temperature / Humidity	-10°C ~ +50°C (+14°F ~ +122°F) / Less than 90% RH	
ELECTRICAL		
Input Voltage	Dual (24V AC & 12V DC ±10%)	
Power Consumption	Max. 3.5W	
MECHANICAL		
Color / Material	Ivory or Black / Plastic	
Dome Cover	Clear	
Dimensions (WxH)	115.8 x 92.7mm (4.56" x 3.65")	
Weight	365g (0.8 lb)	

Also available in black : SCD-3081B

■ DISTRIBUTED BY



SAMSUNG TECHWIN AMERICA Inc.
100 Challenger Road, Suite 700, Ridgefield Park, NJ 07660, UNITED STATES
Tol Free : 1-877-213-1222 Fax : 1-201-373-0124
www.samsungsecurityusa.com



The Eco mark represents Samsung Techwin's will to create environment-friendly products, and indicates that the product satisfies the EU RoHS Directive.

Design and specifications are subject to change without notice.