

## 4 channel D1 Network Video Encoder Blade Card

- 4 channel H.264 D1 Encoder Blade Card
- Embedded VCA Technology Video Analytics
- Audio Compression: G.711
- Dual Video Stream H.264 25/30 FPS@D1
- Deinterlacing on DSP
- RS-485 Support
- Burnt-in Text, Video Motion Detection Support
- Comprehensive SDK Support
- **ONVIF** Support

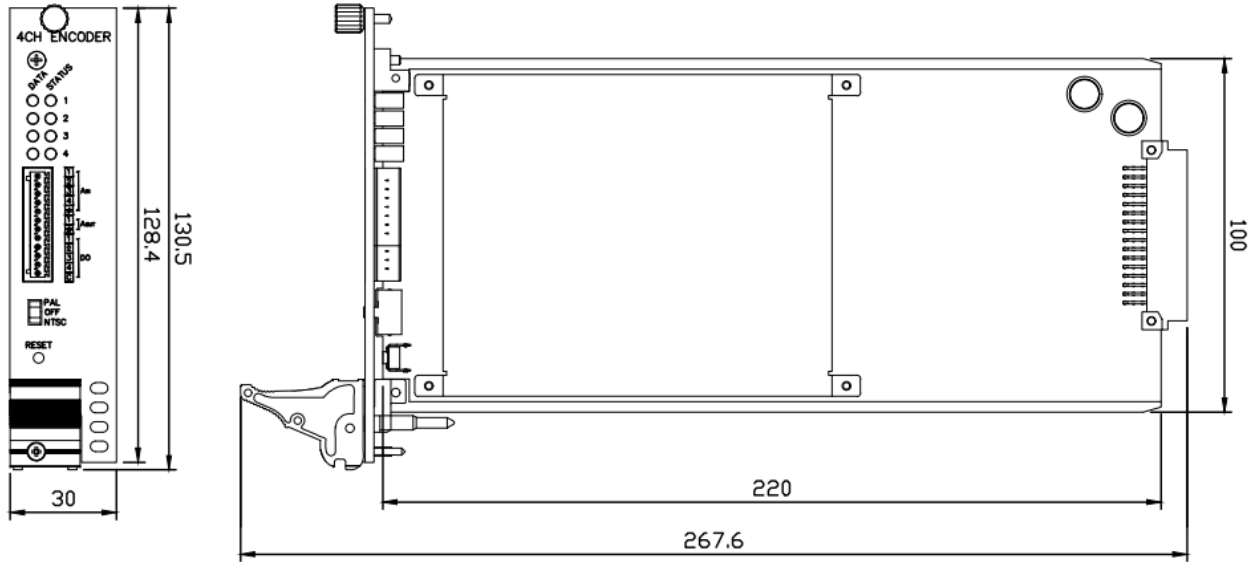


### Specifications

Video	
<b>Input</b>	4 channel
<b>Output</b>	-
<b>Compression Format</b>	H.264, MJPEG Selectable per Stream
<b>Number of Streams</b>	Dual Stream, Independent Configurable
<b>Resolution</b>	D1, 4CIF, VGA, CIF, QCIF, QVGA
<b>Compression FPS</b>	25/30 fps@D1 (PAL/NTSC)
<b>Deinterlacing</b>	Support (DSP)
<b>Motion Detection</b>	Max. 8 zones with independent configuration of detection sensitivity and target object size
<b>Burnt-in Text (Digital)</b>	Time/Date/Name (Name up to 48 characters), flexible display position
<b>No. of DSP Units</b>	4 total (one per video channel)
<b>Privacy Mask Zones</b>	4 flexible configurable regions
<b>Video Streaming</b>	<b>H.264:</b> Controllable frame rate and image resolution, video stream bandwidth limitation (VBR/CBR) <b>MJPEG:</b> Controllable frame rate and image resolution, JPEG quality
<b>Image Settings</b>	Configurable brightness, contrast, saturation, sharpness, vertical flip & horizontal mirror function
Audio	
<b>4x Input / 1x Output</b>	4x Line-In: 0.178Vp-p, 10KΩ 1x Line-Out: 2.26Vp-p, 10KΩ
<b>Compression Format</b>	G.711
Function	
<b>Digital Input / Output</b>	4x Alarm In - max 50mA@5VDC, TTL 4x Alarm Out - max 50mA@24VDC, TTL
<b>Serial Port</b>	RS-485 terminal
<b>Serial PTZ Protocol</b>	American Dynamics, Bosch (LTC856), CBC (OCP485), Convex, Elbex, JVC (JCBP), Kalatel (ASCII), Panasonic (CS850), Pelco-D, Pelco-P, Samsung, TBT (T-Pro)
<b>Network</b>	1x 10 / 100 Base-T
<b>No. of IP Address</b>	4x (every channel independent IP Address)
<b>Protocol</b>	QoS Layer 3 DiffServ, TCP/IP, UDP/IP, HTTP, RTSP, RTCP, RTP/UDP, RTP/TCP, mDNS, UPnP™, SMTP, DHCP, DNS, DynDNS, NTP, SNMPv1/v2c/v3(MIB-II), IGMP, ICMP, SSLv2/v3, TLSv1
<b>ONVIF</b>	Version: 2.02 (Support Profile S)
<b>Approvals</b>	FCC, CE, KC, RoHS

Electrical	
<b>Power Source</b>	12V DC (via 19" Rack unit RE40K)
<b>Power Consumption</b>	(Approx) 9W @ 12V DC
Environmental	
<b>Operating Temperature</b>	0°C ~ 50°C (32°F ~ 122°F)
<b>Operating Humidity</b>	Up to 85% RH (Non-condensing)
Mechanical	
<b>Dimension</b>	128(W) x 268(D) mm
<b>Color</b>	Dark Gray
<b>Weight (Approx)</b>	240g
Video Content Analysis (Included as Standard)	
<b>High Performance</b>	Advanced tracking algorithm and low false alarm rate
<b>Easy to Use</b>	Intuitive web browser interface
<b>Detection Zones and Rules</b>	Up to 40 zones (multi-segment polygons and lines) 60 VCA filter rules in total
<b>On-screen Display</b>	Real-time display of tracking data and events via activeX plug-in in IE browser
<b>Burnt in Annotation</b>	Allows the VCA annotation to be burnt into the raw video stream for displaying on third party application
<b>Tamper Detection</b>	Recognize camera tampering via VCA detection (defocusing, lens covering, camera moving)
<b>Event Actions</b>	Notification service via TCP/IP, HTTP, multicast or email text messages with snapshot, DO-contact, file upload on external FTP server, local SD memory card recording
Video Content Analysis (Option)	
<b>Available License</b>	VCA detectIP, VCAcountIP, VCAaccessIP, VCAsurveillanceIP, VCAadvancedIP
<b>VCA Detection Filters</b>	Enter, Exit, Appear, Disappear, Stop, Direction, Dwell, Speed, Tailgating, Object Classification,
<b>VCA Features</b>	<ul style="list-style-type: none"> <li>- Up to 20 Onscreen Counter Displays</li> <li>- Counting-Line for accuracy people and vehicle counting with local database and reporting service</li> <li>- VCA Event Metadata Streaming (RTSP/RTP)</li> <li>- VCA calibration via 3D tools for right object size detection</li> <li>- Object classification allow to design different Object classes to include or exclude in VCA detection rule</li> </ul>
<b>Info VCA</b>	Details regarding supported VCA filters and features of the different extension licenses find on 'Filter Matrix VCA License' document

## Dimensions



(Unit: mm)