

# RE4000L-R40 & RE4000L-R12

## 4 channel H.264 D1 Network Video Encoder Blade Card

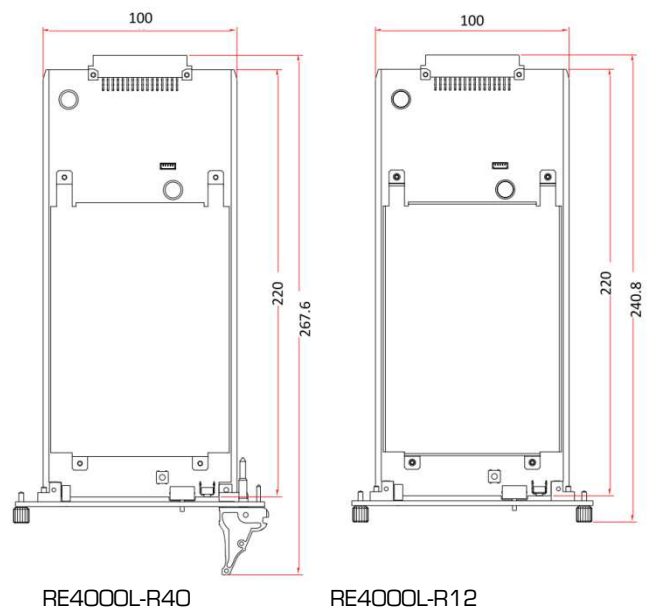
- 4 channel H.264 D1 Network Video Encoder
- 2 channel Audio Input, 1 channel Audio Output
- H.264 Full Frame at D1
- Video Compression : H.264, Snapshot-MJPEG
- Deinterlacing on DSP
- Two-way Audio with G.711
- RS-485 Support
- Burnt-in Text, Video Motion Detection Support
- Comprehensive SDK Support



### Specifications

Video		
Input	4 channel	
Compression Format	H.264	
Number of Streams	Single Stream (H.264) + Snapshot (MJPEG)	
Resolution	D1, 4CIF, VGA, CIF, QVGA, QCIF	
Frame Rate	25/30fps@D1	
De-interlacing	Built-in (DSP)	
Motion Detection	Built-in (DSP)	
Burnt-in Text	Built-in (DSP)	
Audio		
Input	2 channel	
Output	1 channel	
Compression Format	G.711	
Function		
Digital Input	4	
Digital Output	4	
Serial Port	RS-232C, RS-485	
Network	10 / 100 Base-T	
Protocol	TCP/IP, UDP/IP, HTTP, RTSP, RTP, RTP/UDP, RTP/TCP, SNTP, mDNS, UPnP, SMTP, SOCK, IGMP, DHCP, FTP, DDNS, SSL v2/v3, IEEE 802.1X, SSH, SNMP v2/v3	
Electrical		
Power Source	12V DC (From Power Supplier Unit)	
Power Consumption (Approx)	530 mA @ 12V DC	
Environmental		
Operating Temperature	-10 °C ~ 50 °C (14 °F ~ 140 °F)	
Operating Humidity	Up to 85% RH, Non-condensing	
Mechanical		
Dimension	RE4000L-R40	268(W) x 128(H) mm
	RE4000L-R12	241(W) x 125(H) mm
Weight (Approx)	RE4000L-R40	230 g
	RE4000L-R12	220 g

### Dimension



(Unit: mm)