

# RC6602HD-5311



## H.264 Full HD Indoor / Outdoor IR Bullet IP Camera

- Full HD1080p @ 30fps
- Remote Zoom/Focus Control (One Click AF)
- Video Compression: H.264, MJPEG
- True Day/Night and WDR
- Dual Video Stream, Two-way Audio with G.711
- Built-in IR illuminator with Smart IR adjustment
- MicroSD/SDHC Memory Card Slot
- ONVIF Support, IP66, PoE (IEEE 802.3af)
- Embedded VCA Technology Video Analytics
- Standard fitted with VCA Detect License



### Specifications

CAMERA	
Image Sensor	1/2.7" 1080p CMOS
Effective Pixels	1920 x 1080
Scanning System	Progressive scanning
AGC Control	Auto, adjustable amplification level
Minimum Illumination	Color: 0.5 lux, F1.2 - 0.01 lux (DSS ON) BW: 0.00 lux (IR LED On)
Lens	3.0 – 9.0mm Vari-Focal, F1.2-360, DC Auto Iris Motorized Focus & Zoom Control – One Click Focus Function
Lens Angle of View	Wide approx: 93.0°(H) x 68.4°(V) Tele approx: 31.7°(H) x 23.8°(V)
Shutter Time	1/10.000s to 1/2s
Shutter Exposure Modes	Automatic - with configurable min. shutter speed Manual - with configurable fixed shutter speed Flicker-Control - 50/60Hz
Day & Night Switching	Auto/Manual (both switching level adjustable 1 ~ 64) Removable IR Cut Filter
Image Settings	Configurable brightness, contrast, saturation, sharpness, vertical flip & horizontal mirror function
2D-DNR	Configurable digital noise reduction 1 ~ 16
Wide Dynamic Range	Digital WDR
Exposure Adjustment	+1.0, +0.6, +0.3, 0, -0.3, -0.6, -1.0 EV
White Balance	ATW1 / ATW2 / Push / Manual
DSS (Sens-up)	Configurable digital slow shutter 2X ~ 16X
Backlight Compensation	BLC On/Off (possible to designate zone)
IR ILLUMINATOR	
IR LED	34x IR LED (850nm)
IR Working Distance	Approx 25m (30IRE)
SMART IR	Automatically adjust the infrared light to the best, according to the brightness of the scene
VIDEO	
Video Compression	H.264 Baseline, Main, High profile (MPEG-4 Part 10/ AVC), MJPEG (Motion JPEG)
Video Streaming	Dual Stream, Independent Configurable <b>H.264:</b> Controllable frame rate and image resolution, video stream bandwidth limitation (VBR/CBR) <b>MJPEG:</b> Controllable frame rate and image resolution, JPEG quality
Resolutions	1920x1080, 1280x720, 1120x630, 960x540, 800x450, 640x360, 480x270, 320x180

VIDEO	
Burnt-in Text	Time / Date / Name (Name up to 48 characters), flexible display position
Privacy Mask Zones	4 flexible configurable regions
Analogue Video	NTSC/PAL (3 minutes, only for installation purpose)
AUDIO	
Audio input / output	Line-In: 0.178Vp-p, 10KΩ Lineout: 2.26Vp-p, 10KΩ
Compression Format	G.711-uLaw
NETWORK	
Ethernet Standard	10 / 100 Base-T
Protocol	QoS Layer 3 DiffServ, TCP/IP, UDP/IP, HTTP, RTSP, RTCP, RTP/UDP, RTP/TCP, mDNS, UPnP™, SMTP, DHCP, DNS, DynDNS, NTP, SNMPv1/v2c/v3(MIB-II), IGMP, ICMP, SSLv2/v3, TLSv1
Users Connection	Live viewing for up to 10 clients
Security	Multi-level access with password protection
GENERAL	
I/O Terminal	1x Alarm In - max 50mA@5VDC, TTL 1x Alarm Out - max 50mA@24VDC, TTL
Edge Storage	1x Mirco SD/SDHC card slot (card not included) (Recommend Class 6 and higher for HD recording)
Application Programming Interface	Software Development Kit (SDK) available ONVIF compliant (release V1.4.0.x or higher)
ONVIF	Version: 2.02 (Support Profile S)
Approvals	FCC, CE, KC, IP66, RoHS
ELECTRICAL	
Power Source	12V DC / PoE (IEEE 802.3af)
Power Consumption	Approx 14.88W @ DC 12V
ENVIRONMENT	
Fan / Heater	Fan / Heater Unit (Heater only with 12V-DC power)
Operation Temperature	DC12V : -40°C ~ 50°C (-40°F ~ 122°F) PoE : 0°C ~ 50°C (32°F ~ 122°F) Cold Start DC12V : -20°C (-4°F) / PoE: 0°C (32°F)
Operating Humidity	Up to 85% RH, Non-condensing
MECHANICAL	
Material	Aluminum Die Casting
Color	White
Dimension	83(W) x 82(H) x 194(D) mm without bracket
Weight (Approx)	1.5kg (3.30lbs)

# RC6602HD-5311

## VIDEO CONTENT ANALYSIS (Included as Standard)

<b>High Performance</b>	Advanced tracking algorithm and low false alarm rate
<b>Easy to Use</b>	Intuitive web browser interface
<b>Detection Zones and Rules</b>	Up to 40 zones (multi-segment polygons and lines) 60 VCA filter rules in total
<b>On-screen Display</b>	Real-time display of tracking data and events via activeX plug-in in IE browser
<b>Burnt in Annotation</b>	Allows the VCA annotation to be burnt into the raw video stream for displaying on third party application
<b>Tamper Detection</b>	Recognize camera tampering via VCA detection (defocusing, lens covering, camera moving)
<b>Event Actions</b>	Notification service via TCP/IP, HTTP, multicast or email text messages with snapshot, DO-contact, file upload on external FTP server, local SD memory card recording

## VCA DETECT LICENSE

<b>Detection Filters</b>	Object Classification, Dwell, Speed, Direction
<b>VCA Calibration</b>	Camera scene adjustment via 3-D grid and mimics for right VCA object size detection
<b>Frame Rate</b>	H.264: Configurable up to max 30fps in all resolution* MJPEG: Configurable up to max 30fps in all resolution*
<b>Motion Detection</b>	Max. 8 zones with independent configuration of detection sensitivity and target object size

## VIDEO CONTENT ANALYSIS (Option extension License)

<b>Available License</b>	VCAcountIP, VCAaccessIP, VCAsurveillanceIP, VCAadvancedIP
<b>VCA Detection Filters</b>	Enter, Exit, Appear, Disappear, Stop, Direction, Dwell, Speed, Tailgating, Object Classification
<b>VCA Features</b>	<ul style="list-style-type: none"> <li>- Up to 20 Onscreen Counter Displays</li> <li>- Counting-Line for accuracy people and vehicle counting with local database and reporting service</li> <li>- VCA Event Metadata Streaming (RTSP/RTP)</li> <li>- VCA calibration via 3D tools for right object size detection</li> <li>- Object classification allow to design different Object classes to include or exclude in VCA detection rule</li> </ul>
<b>Info VCA</b>	Details regarding supported VCA filters and features of the different extension licenses find on 'Filter Matrix VCA License' document

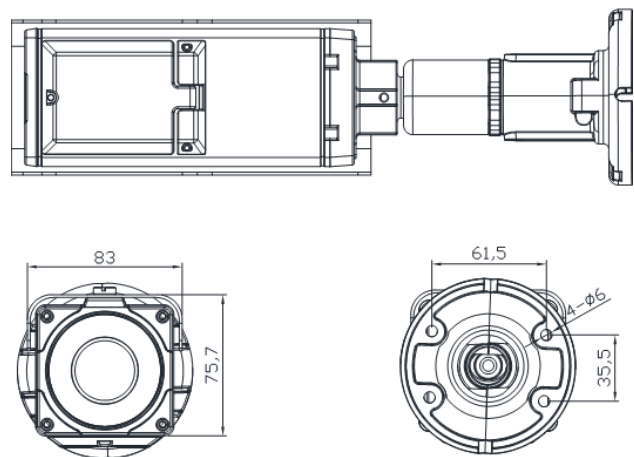
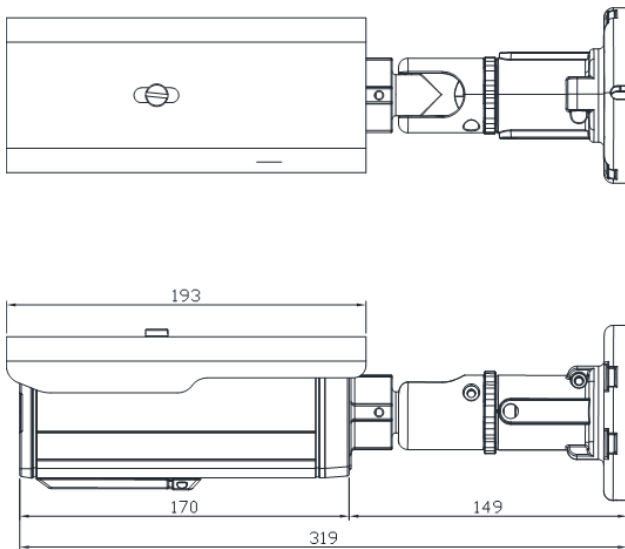
## ACCESSORIES

<b>Mounting Adapter</b>	JBK-6600 – Junction Box (no IP66) PMA-6600 – Pole Mount Adapter
-------------------------	--

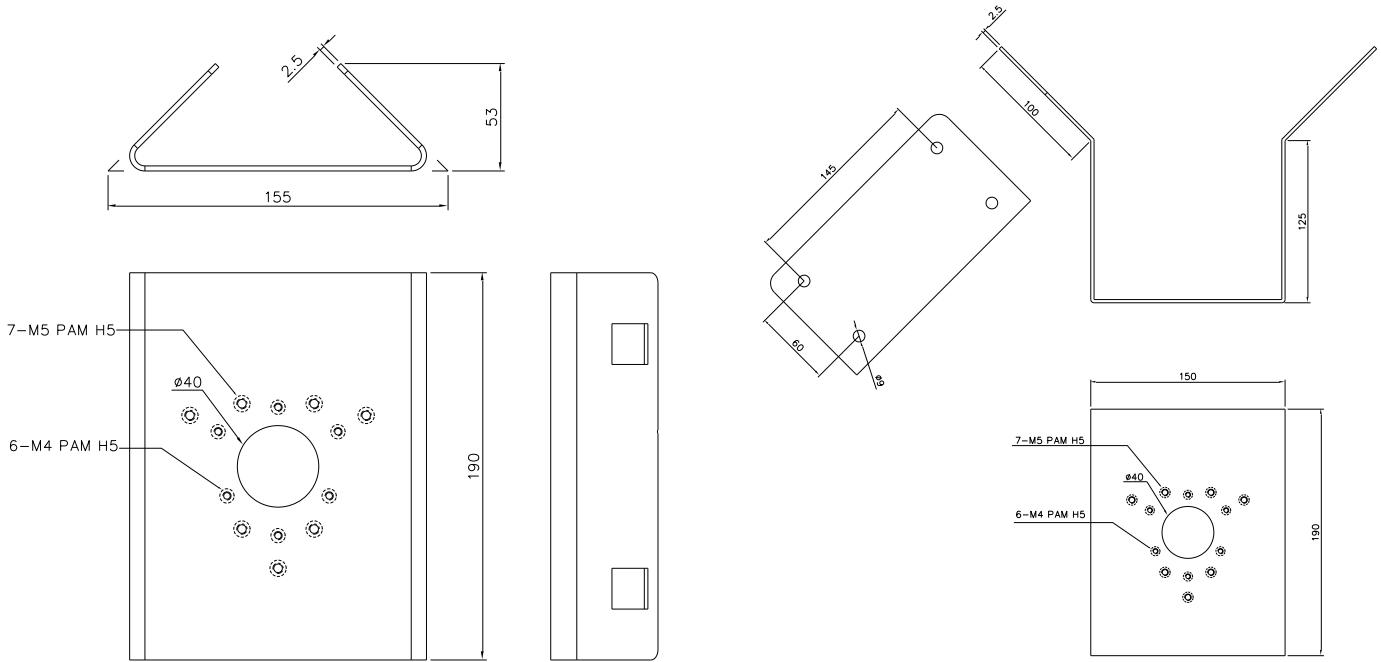
\* If VCA is activate, frame rate is limit to max. 15fps@1080p. Limitations are based on V.1.6.0 firmware release and could be changed without notice

## Dimension

(Unit: mm)



## Accessories

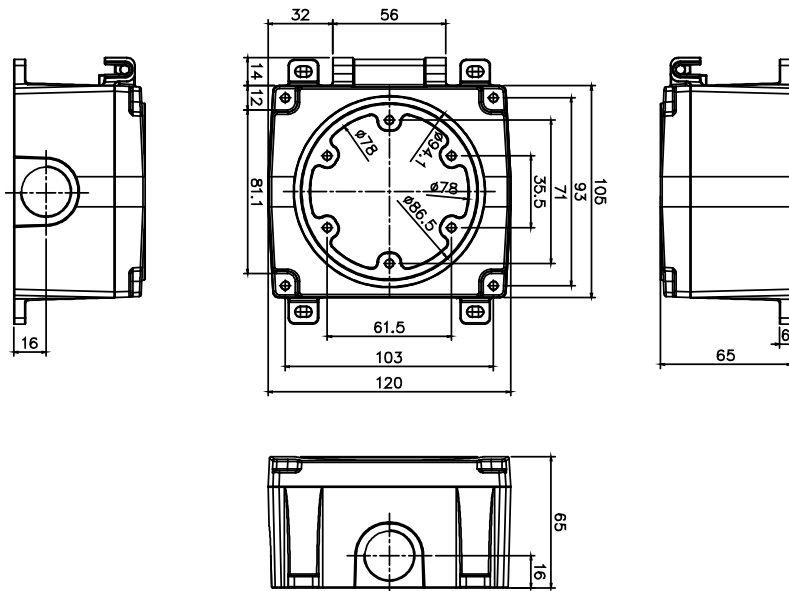


**Pole Mount Adaptor**

Model: PMA-6000

**Corner Mount Adaptor**

Model: CMA-6000



**Junction Box**

JBK-6600

No IP66

Please note: To cover IP classification of the camera housing or bracket need accordingly installation