

# rayMAX 100 FUSION



## LOW VOLTAGE INFRA-RED

RAYMAX Fusion is a range of high performance Infra-Red illuminators designed specifically for low voltage installations. The illuminators provide class leading performance, long life and ultra low maintenance. They incorporate Raytec's latest surface mount PLATINUM LED's to deliver excellent night-time pictures with improved optical output and outstanding reliability.

The RAYMAX Fusion series has integrated Command and Control™ circuitry. Installation is quick and easy, requiring only a 12/24V AC/DC input.

Each unit is fitted with Active LED Life Control to carefully control LED output, delivering consistent illumination power and a projected working life of 10 years.

RAYMAX Fusion illuminators are supplied complete with bracket. Control features on the RAYMAX Fusion include adjustable power output, photocell and photocell adjust. RAYMAX 100 Fusion is suitable for all low light installations up to 150 metres (492ft).



## POWERFUL

- Distances up to 150m (492ft)
- **PLATINUM<sup>®</sup>** LED technology
- High power - low running costs

## FLEXIBLE

- 30, 50 or 120 degree variations
- Integrated Fusion PSU with 12/24V AC/DC input
- Command and Control technology™

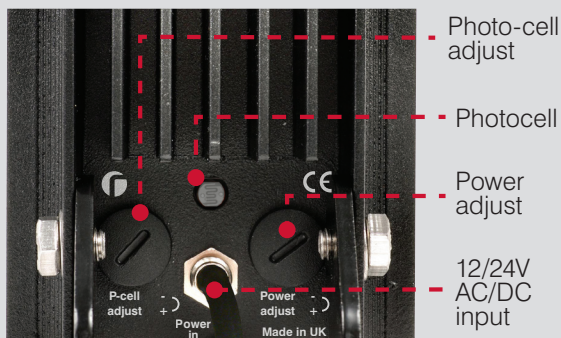
## RELIABLE

- 10 year life
- Active LED life control
- Vandal Resistant

## CONTROLLED

- Zero Light Pollution
- Even Output Illumination
- Semi-Covert or Covert Options

## COMMAND AND CONTROL TECHNOLOGY™



Version 3.1

## APPLICATIONS



rayTEC<sup>®</sup>



### PLATINUM ADVANCED SMT LED TECHNOLOGY

PLATINUM illuminators integrate cutting-edge SMT LED technology, light intensification miniature optics (LIMO) and an enhanced Cool Running™ thermal management system into a single ultra high performance LED. The result is World leading power, reliability and flexibility.



### ACTIVE LED LIFE CONTROL

All Raytec illuminators employ cutting edge materials science techniques to improve thermal efficiency throughout the unit and ensure continuity of LED power. The New Advanced Cool Running™ system draws heat away from the LEDs, shielding the LED from abnormal stress, and allows Raytec LED products to deliver outstanding performance and consistency of illumination throughout the operational life of the illuminator.



### COMMAND AND CONTROL TECHNOLOGY

Integrated into all Fusion Illuminators, Command and Control technology provides photocell, photocell level adjustment and power adjustment functionality on the actual illuminator. This eliminates the need for a specialist external power supply.



### VANDAL RESISTANT

The polycarbonate lens design protects against severe blows from crowbars, baseball bats and can even withstand successive shots from air pistols and rifles (range dependant).



### ENERGY SAVING

All Raytec illuminators use high efficiency LED's and advanced control methods to deliver extremely low electrical consumption. Raytec illuminators are energy saving and deliver huge savings in running costs compared to traditional bulb illuminators.



### HIGH DEFINITION LIGHTING

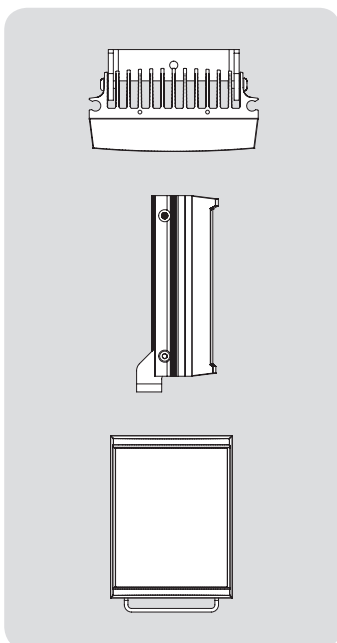
High Definition Lighting allows cameras to provide crystal clear, high signal images during the hours of darkness. The breakthrough in HD lighting is made possible with Raytec's high power LED technology delivering increased power on scene.

## 5 YEAR WARRANTY

All Raytec CCTV illuminators are provided with a 5 year warranty, unmatched anywhere in the CCTV lighting industry. Raytec illuminators provide guaranteed long life!



## TECHNICAL SPECIFICATIONS



#### ILLUMINATOR & INTEGRATED PSU

*Max Distance:* up to 150m (492ft)  
*Angle:* 10, 30, 50 or 120 degrees  
*Optics:* SMT LED's  
*Consumption:* 35W max  
*Input:* 12/24V AC/DC  
*Voltage:* 13.5V current controlled  
*Weight:* 1.4kg (3.1lbs)  
*Environmental:* IP66  
*Temp Range:* -50 to +50°C (-58 to 122°F)  
*Cable Length:* 2.5m  
*Colour:* Black  
*Wavelength:* 850 or 940nm  
*Dimensions:* 180 x 135 x 65mm  
 7" x 5.25" x 2.5" approx

**BRACKETRY**  
 U Bracket included.

#### INTEGRATED COMMAND AND CONTROL TECHNOLOGY

- Inbuilt Photocell for automatic on/off operation
- Photocell level adjust
- Power adjust from 10-100%
- Telemetry connection for remote operation

#### PART CODES & DISTANCES

RM100-F-10	RAYMAX 100 Fusion, 10°	850nm + Integrated PSU	150m (492ft)
RM100-F-30	RAYMAX 100 Fusion, 30°	850nm + Integrated PSU	80m (262ft)
RM100-F-50	RAYMAX 100 Fusion, 50°	850nm + Integrated PSU	56m (184ft)
RM100-F-120	RAYMAX 100 Fusion, 120°	850nm + Integrated PSU	32m (105ft)
RM100-F-10-C	RAYMAX 100 Fusion, 10°	940nm + Integrated PSU	Contact Raytec
RM100-F-30-C	RAYMAX 100 Fusion, 30°	940nm + Integrated PSU	Contact Raytec
RM100-F-50-C	RAYMAX 100 Fusion, 50°	940nm + Integrated PSU	Contact Raytec
RM100-F-120-C	RAYMAX 100 Fusion, 120°	940nm + Integrated PSU	Contact Raytec



Europe / Middle East: Tel: +44 (0) 1670 520055  
 Americas (Toll Free): Tel: +1 888 505 8335

Email: sales@rayteccctv.com  
 Email: ussales@rayteccctv.com  
 Web: www.rayteccctv.com