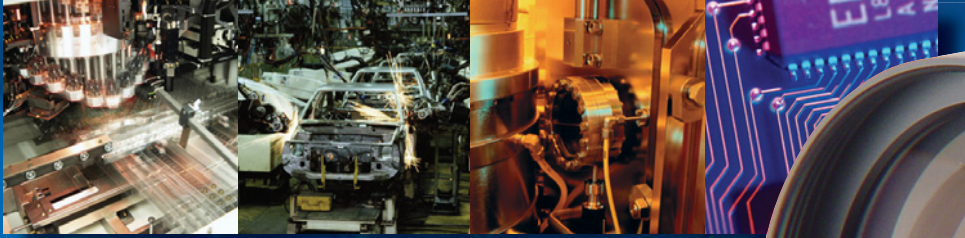


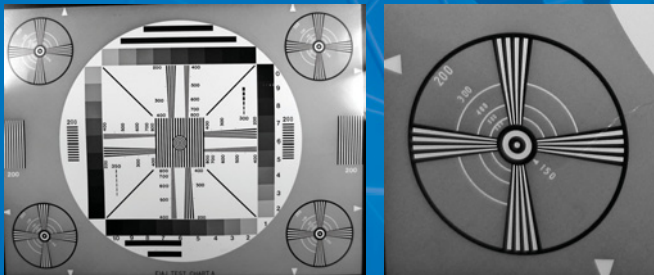
MEGA-PIXEL LENSES



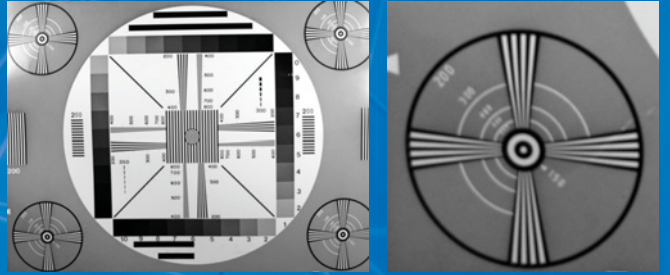
- High resolution
- Low distortion
- Lock screws with securing hex bolt
- Iris click stops
- Metal body



High Resolution

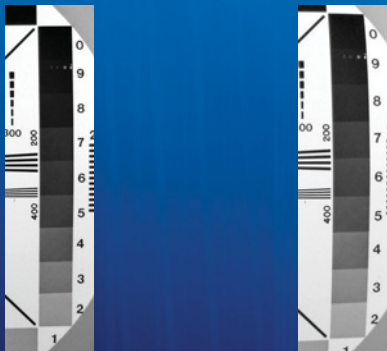


Mega-Pixel Lens



Standard Lens

Low Distortion



Mega-Pixel Lens

Standard Lens



HM6WI

1/2" 6mm F1.4
 1.0 Mega-Pixel
 -0.96% Distortion



SM25WI

2/3" 25mm F1.4
 1.4 Mega-Pixel
 -0.28% Distortion



SM35WI

2/3" 35mm F2.0
 1.4 Mega-Pixel
 -0.02% Distortion



SM50WI

2/3" 50mm F2.8
 1.4 Mega-Pixel
 -0.2% Distortion

HM6WI

1/2" 6mm F1.4 — 1.0 Mega-Pixel

Features

- High resolution
- Low distortion
- Lock screws with securing hex bolt
- Iris click stops
- Metal body

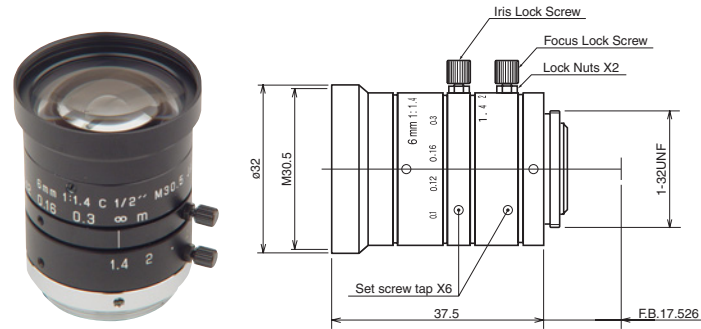
Resolution

100mm line/mm (Center) 80 line/mm (Corner)

TV Distortion

-0.96%

Focal Length:	6mm
Max. Relative Aperture:	1:1.4
Iris:	F1.4-16
Angular Field of View:	57.4° × 44.3°
Min. Object Distance (M.O.D.):	0.2m (From Front Vertex)
Optical Back Focal Distance:	12.32mm (In Air)
Operation:	Focus: Manual Iris: Manual
Operation Temperature:	-10 ~ +50°C (+14 ~ 122° F)
Filter Size:	30.5mm P0.5
Mount:	C-mount
Size, Approx. Weight:	32 × 37.5mm (ø/d), 65g (Approx. 1.3 × 1.5, 2.3oz.)



SM25WI

2/3" 25mm F1.4 — 1.4 Mega-Pixel

Features

- High resolution
- Low distortion
- Lock screws with securing hex bolt
- Iris click stops
- Metal body

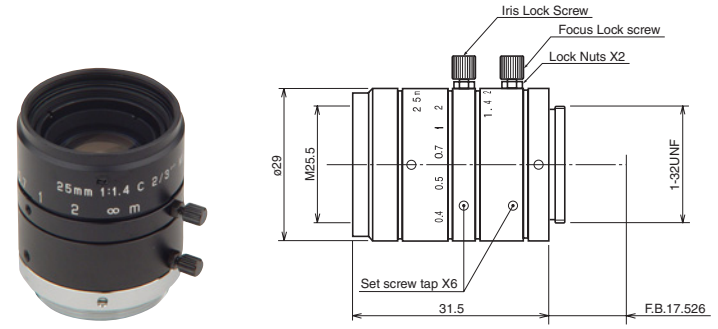
Resolution

140mm line/mm (Center) 100 line/mm (Corner)

TV Distortion

-0.28%

Focal Length:	25mm
Max. Relative Aperture:	1:1.4
Iris:	F1.4-16
Angular Field of View:	20.1° × 15.1°
Min. Object Distance (M.O.D.):	0.25m (From Front Vertex)
Optical Back Focal Distance:	13.13mm (In Air)
Operation:	Focus: Manual Iris: Manual
Operation Temperature:	-10 ~ +50°C (+14 ~ 122° F)
Filter Size:	25.5mm P0.5
Mount:	C-mount
Size, Approx. Weight:	29 × 31.5mm (ø/d), 45g (Approx. 1.1 × 1.2, 1.6oz.)



SM35WI

2/3" 35mm F2.0 — 1.4 Mega-Pixel

Features

- High resolution
- Low distortion
- Lock screws with securing hex bolt
- Iris click stops
- Metal body

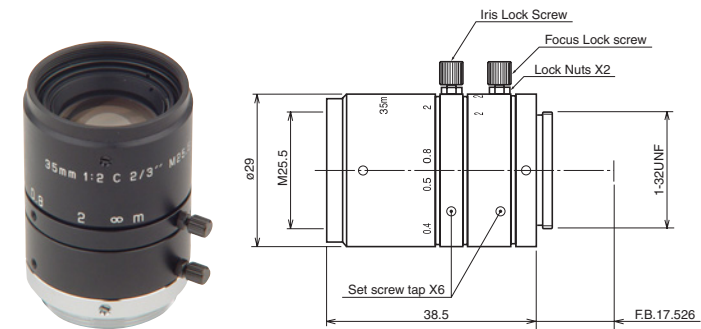
Resolution

140mm line/mm (Center) 100 line/mm (Corner)

TV Distortion

-0.02%

Focal Length:	35mm
Max. Relative Aperture:	1:2.0
Iris:	F2.0-22
Angular Field of View:	14.3° × 10.5°
Min. Object Distance (M.O.D.):	0.25m (From Front Vertex)
Optical Back Focal Distance:	18.06mm (In Air)
Operation:	Focus: Manual Iris: Manual
Operation Temperature:	-10 ~ +50°C (+14 ~ 122° F)
Filter Size:	25.5mm P0.5
Mount:	C-mount
Size, Approx. Weight:	29 × 38.5mm (ø/d), 55g (Approx. 1.1 × 1.5, 1.9oz.)



SM50WI

2/3" 50mm F2.8 — 1.4 Mega-Pixel

Features

- High resolution
- Low distortion
- Lock screws with securing hex bolt
- Iris click stops
- Metal body

Resolution

140mm line/mm (Center) 100 line/mm (Corner)

TV Distortion

-0.2%

Focal Length:	50mm
Max. Relative Aperture:	1:2.8
Iris:	F2.8-22
Angular Field of View:	10.0° × 7.5°
Min. Object Distance (M.O.D.):	0.5m (From Front Vertex)
Optical Back Focal Distance:	21.2mm (In Air)
Operation:	Focus: Manual Iris: Manual
Operation Temperature:	-10 ~ +50°C (+14 ~ 122° F)
Filter Size:	25.5mm P0.5
Mount:	C-mount
Size, Approx. Weight:	29 × 38.5mm (ø/d), 55g (Approx. 1.1 × 1.5, 1.9oz.)

