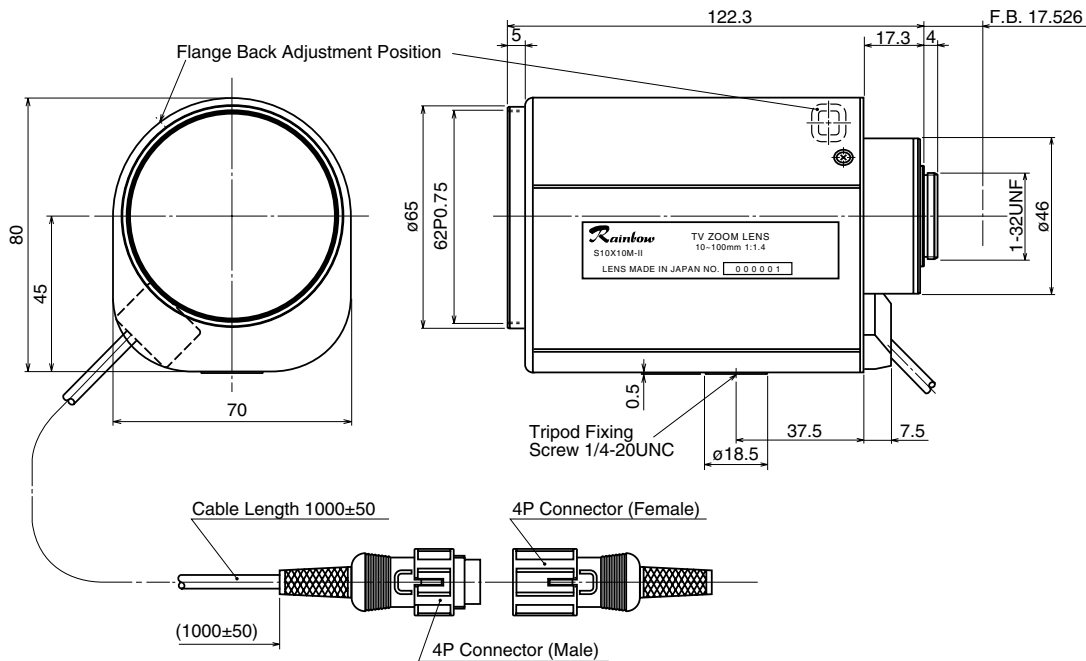


S10X10M-II

10~100mm F1.4 – C-Mount
Compatible with 2/3", 1/2" & 1/3" Cameras

Focal Length: 10~100mm
Max. Relative Aperture: 1:1.4
Iris: F1.4~Approx. 1200
With ND Spot Filter
Zoom Ratio: 10X
Angular Field of View: 2/3": 47.5° × 36.5° at 10mm
5.0° × 3.8° at 100mm
1/2": 35.5° × 27.0° at 10mm
3.7° × 2.7° at 100mm
1/3": 27.0° × 20.4° at 10mm
2.8° × 2.1° at 100mm
Min. Object Distance (M.O.D.): 1.2m (From Front Vertex)
Optical Back Focal Distance: 14.694mm (In Air)
Auto-Iris Input Signal: Composite Video Signal or Video Signal

Input Impedance: High Impedance
Sensitivity Adjustment: Image Signal Level 0.5~1.0Vp-p
With Input Video Signal 0.7Vp-p
Auto-Iris Accuracy: Within ±15% of Mean value
Operation: Zoom: Motorized (DC±4V~12V, Max 40mA)
Speed Approx. 6 sec. (at 6.4V)
Focus: Motorized (DC±4V~12V, Max 40mA)
Speed Approx. 7 sec. (at 6.4V)
Iris: Motorized (DC±4V~12V, Max 40mA)
Speed Approx. 3.5 sec. (at 6.4V)
Operation Temperature: -10 ~ +50°C (+14 ~ 122° F)
Filter Size: 62mm P0.75
Mount: C-mount
(Adjustable Lens Position)
Size, Approx. Weight: 70 × 80 × 122.3mm (w/h/d), 700g
(Approx. 2.8 × 3.1 × 4.8in., 1.5lb.)



– Circuit Diagram –

