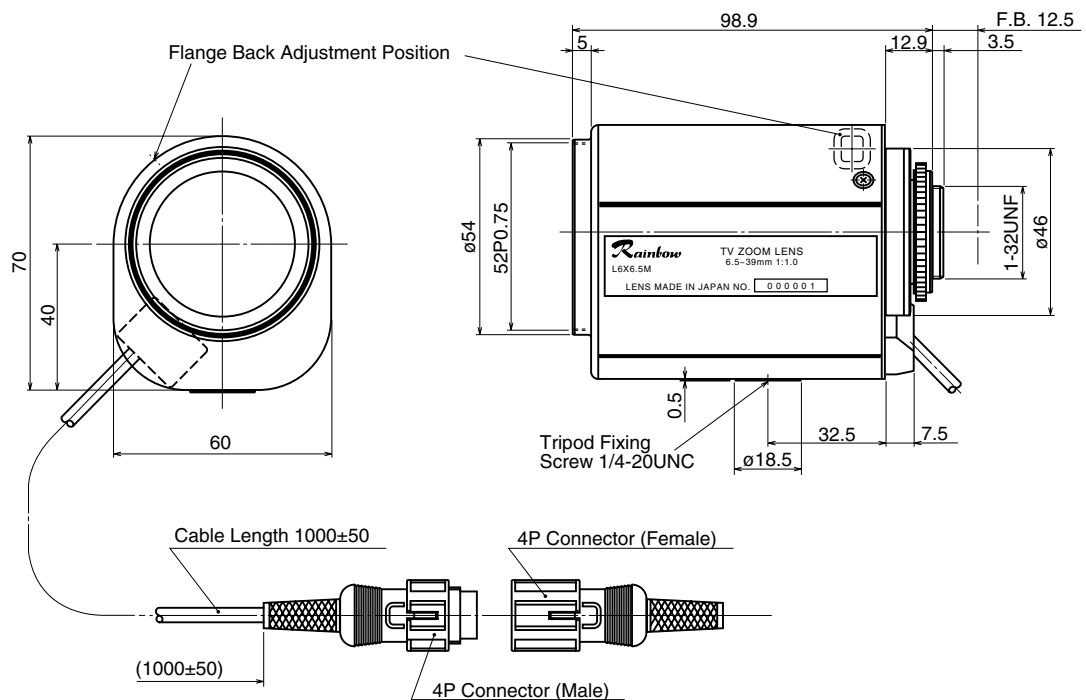


## L6X6.5M/CS

6.5~39mm F1.0 – CS-Mount

Compatible with 1/3" Cameras

<b>Focal Length:</b>	6.5~39mm	<b>Operation:</b>	<b>Zoom:</b> Motorized (DC±4V~12V, Max 40mA) Speed Approx. 6 sec. (at 6.4V)
<b>Max. Relative Aperture:</b>	1:1.0		<b>Focus:</b> Motorized (DC±4V~12V, Max 40mA) Speed Approx. 7 sec. (at 6.4V)
<b>Iris:</b>	F1.0~Close		<b>Iris:</b> Motorized (DC±4V~12V, Max 40mA) Speed Approx. 4 sec. (at 6.4V)
<b>Zoom Ratio:</b>	6X		
<b>Angular Field of View:</b>	1/3": 40.5° × 31.0° at 39mm 7.0° × 5.3° at 6.5mm		
<b>Min. Object Distance (M.O.D.):</b>	1.0m (From Front Vertex)	<b>Operation Temperature:</b>	-10 ~ +50°C (+14 ~ 122° F)
<b>Optical Back Focal Distance:</b>	11.28mm (In Air)	<b>Filter Size:</b>	52mm P0.75
		<b>Mount:</b>	CS-mount (Adjustable Lens Postion)
		<b>Size, Approx. Weight:</b>	60× 70 × 98.9mm (w/h/d), 500g (Approx. 2.4 × 2.8 × 3.9in., 1.1lb.)



### – Circuit Diagram –

