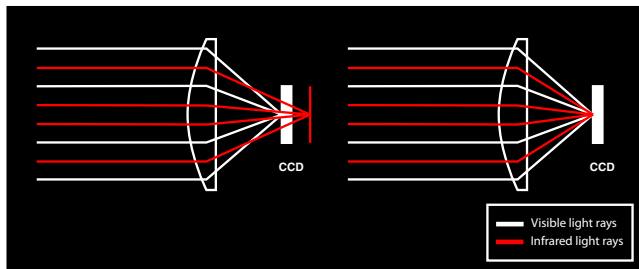


Specifications

L212AVDC4PIR

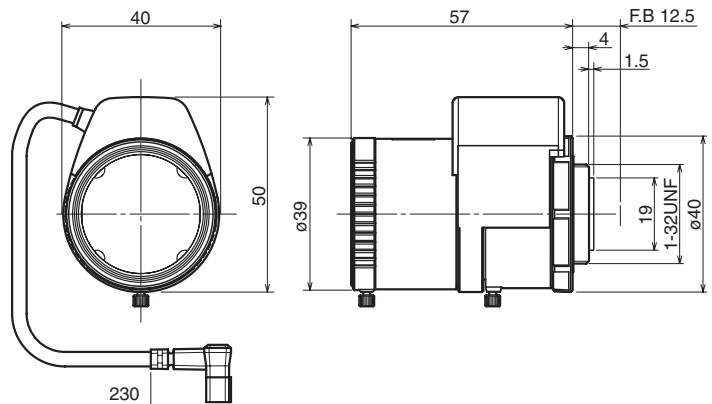
Focal Length:	2.7~12mm
Max. Relative Aperture:	1:1.2
Iris:	F1.2~Approx. F360 Built-in ND Spot Filter
Angular Field of View:	1/3": 97.4° × 72.4° at 2.7mm 23.8° × 17.8° at 12mm
	1/4": 72.4° × 55.5° at 2.7mm 17.8° × 13.5° at 12mm
Min. Object Distance (M.O.D.):	0.3m (From Front Vertex)
Optical Back Focal Distance:	7.13mm (In Air)
Operation:	Zoom: Manual Focus: Manual Iris: IG (Auto-Close System)
Operation Voltage:	Close to Open: Less than 4V Open to Close: More than 0.1V
Operation Temperature:	-10 ~ +50°C (+14 ~ 122° F)
Filter Size:	None
Mount:	CS-Mount (Adjustable Lens Postion)
Size, Approx. Weight:	40 × 50 × 57mm (w/h/d), 72g (Approx. 1.6 × 2.0 × 2.2in., 2.5oz.)

2.7~12mm F1.2 Aspherical
DC-type Auto-Iris



Visible and infrared rays fall upon a different focal plane in standard lenses which creates a blurry image when switching from visible to infrared lighting. Rainbow's L880VDC4PIR lens corrects this problem to provide clear images day and night under all lighting conditions.

Dimensions

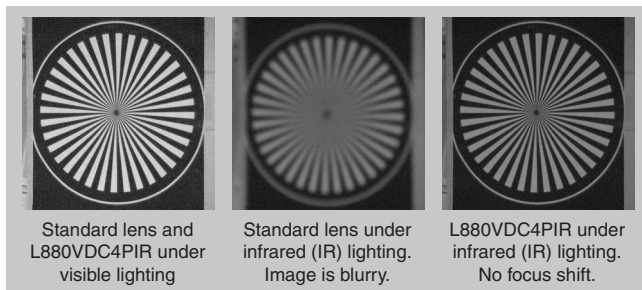


Wiring



Pin	Signal
1	Brake - *
2	Brake + *
3	Drive +
4	Drive -

* Also referred to as DAMP, CONTROL, or DUMP



Specifications subject to change without notice