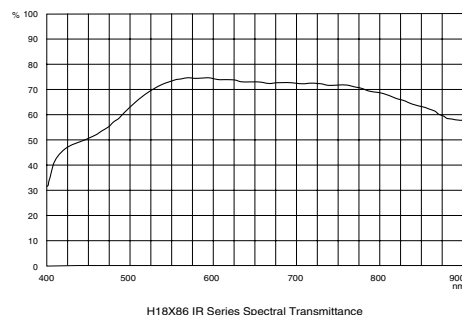
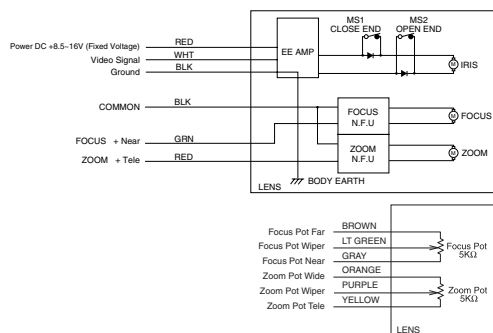
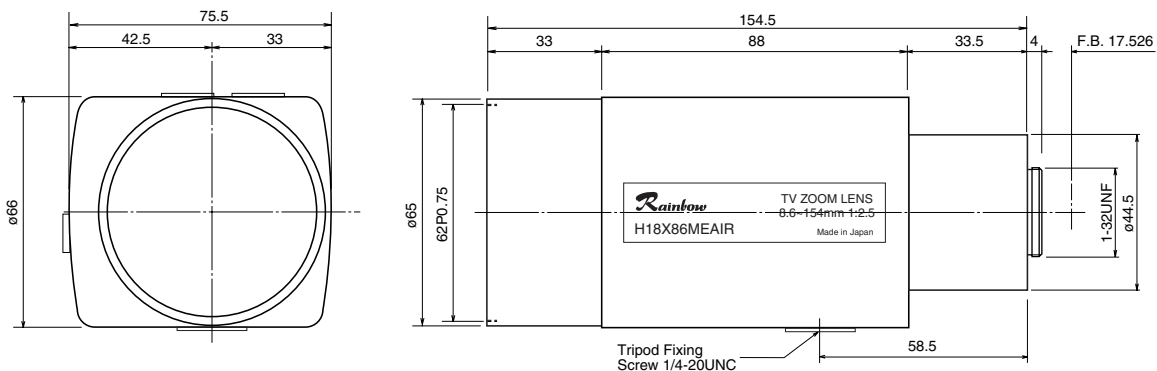




- 1/2" 8.6~154mm F2.5
- No focus shift when switching from IR to visible lighting
- Special coating technology for excellent light transmission from 430~950nm
- 4-year warranty

<b>Focal Length:</b>	8.6~154mm	<b>Auto-Iris Accuracy:</b>	With Input Video Signal 0.7Vp-p
<b>Max. Relative Aperture:</b>	1:2.5	<b>Operation: Zoom:</b>	Motorized (DC±4V~12V, Max 40mA) Speed Approx. 6 sec. (at 6.4V)
<b>Iris:</b>	F2.5~Approx. 360 With ND Spot Filter	<b>Focus:</b>	Motorized (DC±4V~12V, Max 40mA) Speed Approx. 7 sec. (at 6.4V)
<b>Zoom Ratio:</b>	18X	<b>Iris:</b>	Auto (DC+8~16V: Fixed Voltage, Max. 40mA) Speed Within 2 sec.
<b>Angular Field of View:</b>	1/2": 40° x 30° at 8.6mm 2° x 1° at 154mm 1/3": 30° x 23° at 8.6mm 1° x 1° at 154mm	<b>Operation Temperature:</b>	-10 ~ +50°C (+14 ~ 122° F)
<b>Min. Object Distance (M.O.D.):</b>	1.8m (From Front Vertex)	<b>Filter Size:</b>	62mm P0.75
<b>Optical Back Focal Distance:</b>	14.20mm (In Air)	<b>Mount:</b>	C-mount (Adjustable Lens Postion)
<b>Auto-Iris Input Signal:</b>	Composite Video Signal or Video Signal	<b>Size, Approx. Weight:</b>	75.5 x 66 x 154.5mm (w/h/d), 850g (Approx. 3.0 x 2.6 x 6.1in., 1.9lb.)
<b>Input Impedance:</b>	High Impedance		
<b>Sensitivity Adjustment:</b>	Image Signal Level 0.5~1.0Vp-p		



H18X86 IR Series Spectral Transmittance

Specifications subject to change without notice