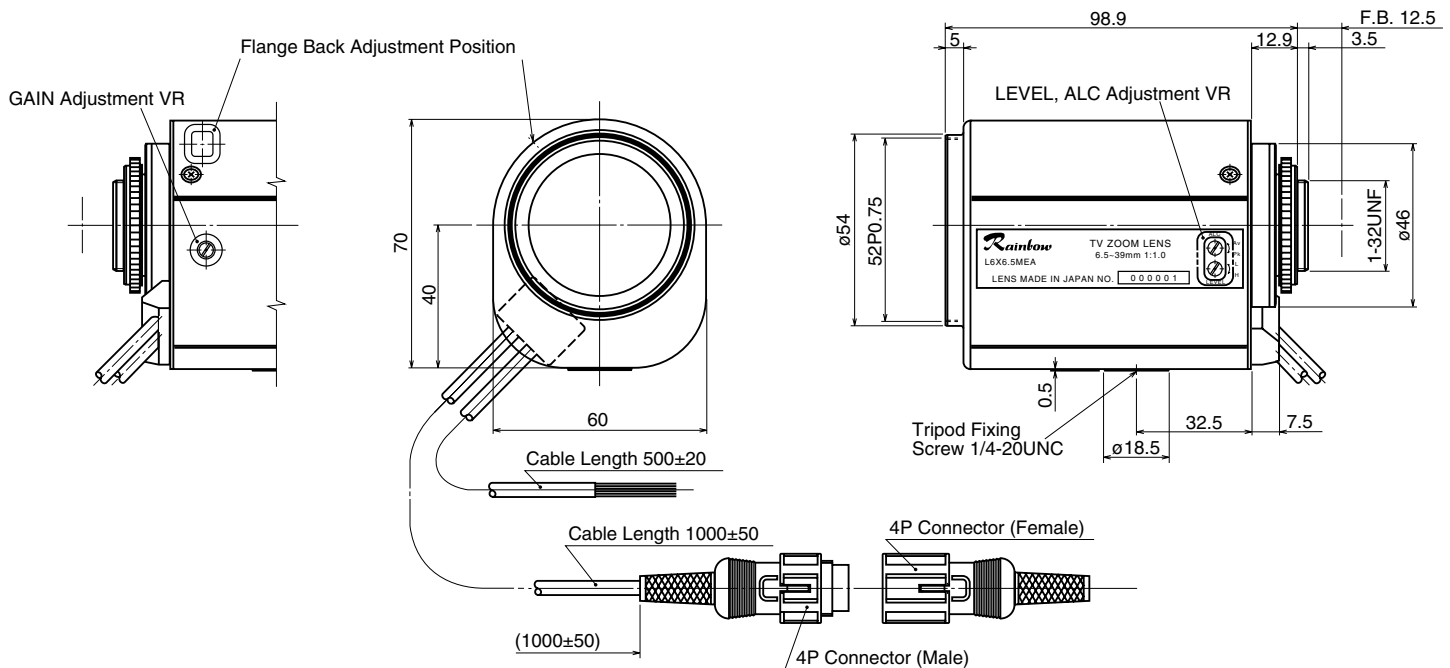


L6X6.5MEA/CS

6.5~39mm F1.0 – CS-Mount

Compatible with 1/3" Cameras

Focal Length:	6.5~39mm	Sensitivity Adjustment:	Image Signal Level 0.5~1.0Vp-p
Max. Relative Aperture:	1:1.0	Auto-Iris Accuracy:	With Input Video Signal 0.7Vp-p Within ±15% of Mean value
Iris:	F1.0~Approx. 1200 With ND Spot Filter	Operation:	Zoom: Motorized (DC±4V~12V, Max 40mA) Speed Approx. 6 sec. (at 6.4V)
Zoom Ratio:	6X	Focus:	Motorized (DC±4V~12V, Max 40mA) Speed Approx. 7 sec. (at 6.4V)
Angular Field of View:	1/3": 40.5° × 31.0° at 39mm 7.0° × 5.3° at 6.5mm	Iris:	Auto (DC+8~16V: Fixed Voltage, Max. 60mA) Speed Within 3 sec.
Min. Object Distance (M.O.D.):	1.0m (From Front Vertex)	Operation Temperature:	-10 ~ +50°C (+14 ~ 122° F)
Optical Back Focal Distance:	11.76mm (In Air)	Filter Size:	52mm P0.75
Auto-Iris Input Signal:	Composite Video Signal or Video Signal	Mount:	CS-mount (Adjustable Lens Postion)
Input Impedance:	High Impedance	Size, Approx. Weight:	60 × 70 × 98.9mm (w/h/d), 500g (Approx. 2.4 × 2.8 × 3.9in., 1.1lb.)



– Circuit Diagram –

