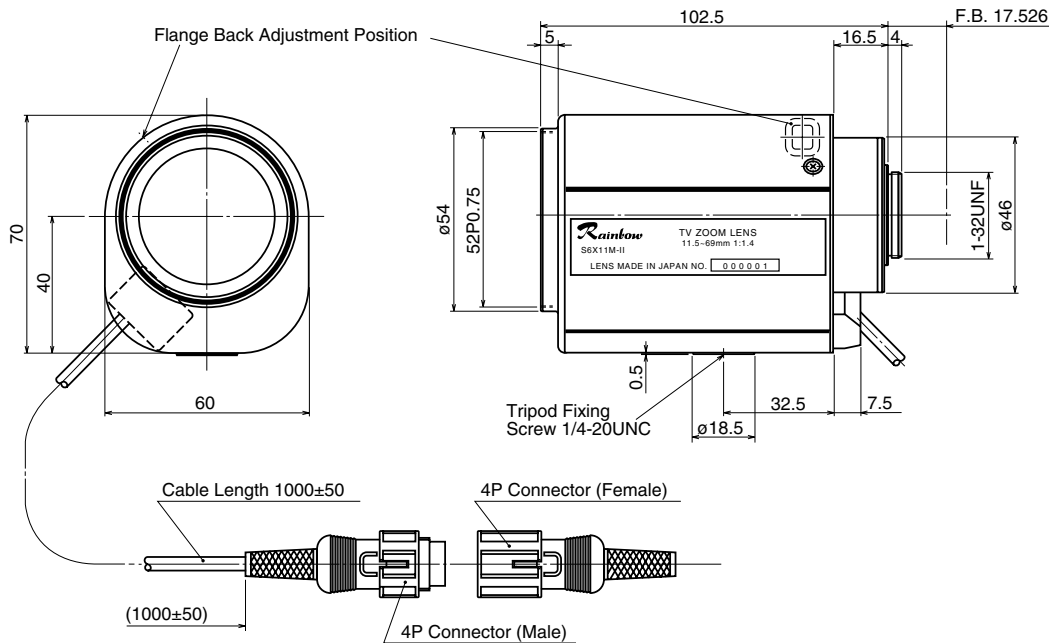


## S6X11M-II

11.5~69mm F1.4 – C-Mount  
Compatible with 2/3", 1/2" & 1/3", Cameras

**Focal Length:** 11.5~69mm  
**Max. Relative Aperture:** 1:1.4  
**Iris:** F1.4~Approx. 1200  
With ND Spot Filter  
**Zoom Ratio:** 6X  
**Angular Field of View:** 2/3": 41.9° × 32.0° at 11.5mm  
7.3° × 5.5° at 69mm  
1/2": 31.1° × 23.6° at 11.5mm  
5.3° × 4.0° at 69mm  
1/3": 23.6° × 17.8° at 11.5mm  
4.0° × 3.0° at 69mm  
**Min. Object Distance (M.O.D.):** 1.0m (From Front Vertex)  
**Optical Back Focal Distance:** 17.93mm (In Air)  
**Auto-Iris Input Signal:** Composite Video Signal or Video Signal

**Input Impedance:** High Impedance  
**Sensitivity Adjustment:** Image Signal Level 0.5~1.0Vp-p  
With Input Video Signal 0.7Vp-p  
**Auto-Iris Accuracy:** Within ±15% of Mean value  
**Operation:** Zoom: Motorized (DC±4V~12V, Max 40mA)  
Speed Approx. 6 sec. (at 6.4V)  
Focus: Motorized (DC±4V~12V, Max 40mA)  
Speed Approx. 7 sec. (at 6.4V)  
Iris: Motorized (DC±4V~12V, Max 40mA)  
Speed Approx. 3.5 sec. (at 6.4V)  
**Operation Temperature:** -10 ~ +50°C (+14 ~ 122° F)  
**Filter Size:** 52mm P0.75  
**Mount:** C-mount  
(Adjustable Lens Position)  
**Size, Approx. Weight:** 60 × 70 × 102.5mm (w/h/d), 500g  
(Approx. 2.4 × 2.8 × 4.0in., 1.1lb.)



### – Circuit Diagram –

