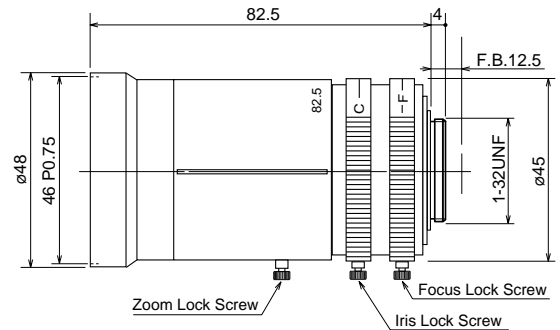


L582VCS – (Manual Iris)

5.5~82.5mm F1.8 – CS-Mount

Compatible with 1/3" & 1/4" Cameras

Focal Length:	5.5~82.5mm	
Max. Relative Aperture:	1:1.8	
Iris:	F1.8~Close	
Angular Field of View:	1/3": 47.1° × 36.2° at 5.5mm 3.3° × 2.5° at 82.5mm 1/4": 36.2° × 29.5° at 5.5mm 2.5° × 2.0° at 82.5mm	
Min. Object Distance (M.O.D.):	0.2~1.0m (From Front Vertex)	
Optical Back Focal Distance:	10.32~8.65mm (In Air)	
Operation:	Zoom:	Manual
	Focus:	Manual
	Iris:	Manual
Operation Temperature:	-10 ~ +50°C (+14 ~ 122° F)	
Filter Size:	46mm P0.75	
Size, Approx. Weight:	ø48 × 82.5mm, 210g (Approx. ø1.9 × 3.2in., 7.4oz.)	

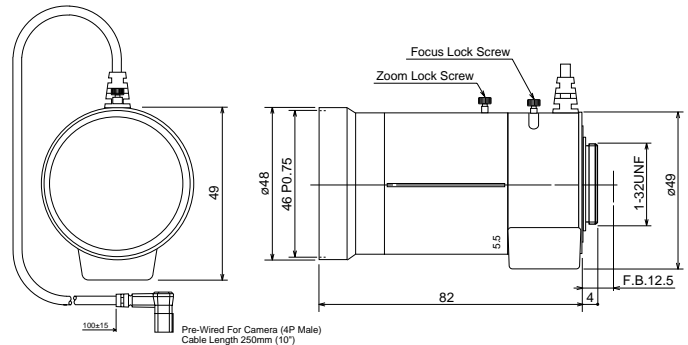


L582VDC4P – (DC-type auto-iris with 4-pin)

5.5~82.5mm F1.8 – CS-Mount

Compatible with 1/3", & 1/4" Cameras

Focal Length:	5.5~82.5mm	
Max. Relative Aperture:	1:1.8	
Iris:	F1.8~Approx. F360 With ND Spot Filter	
Angular Field of View:	1/3": 47.1° × 36.2° at 5.5mm 3.3° × 2.5° at 82.5mm 1/4": 36.2° × 29.5° at 5.5mm 2.5° × 2.0° at 82.5mm	
Min. Object Distance (M.O.D.):	0.2~1.0m (From Front Vertex)	
Optical Back Focal Distance:	10.32~8.65mm (In Air)	
Operation:	Focus:	Manual
	Iris:	IG (Auto-Close System)
Operation Voltage:	Close to Open: Less than 3V Open to Close: More than 0.5V	
Operation Temperature:	-10 ~ +50°C (+14 ~ 122° F)	
Filter Size (Front Thread):	46mm P0.75	
Mount:	CS-Mount (Adjustable Lens Postion)	
Size, Approx. Weight:	48 × 49 × 82mm (w/h/d), 220g (Approx. 1.9 × 1.9 × 3.2in., 7.8oz.)	



Camera Connector Wiring	
Pin	Signal
1	Brake - *
2	Brake + *
3	Drive +
4	Drive -

* Also referred to as DAMP, CONTROL, or DUMP