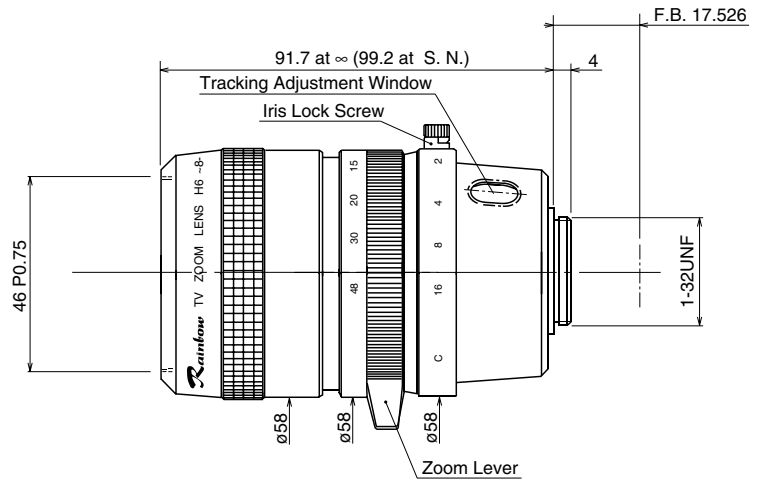


H6X8

8~48mm F1.0 – C-Mount

Compatible with 1/2", 1/3" & 1/4" Cameras

- Focal Length:** 8~48mm
- Max. Relative Aperture:** 1:1.0
- Iris:** F1.0~Close
- Angular Field of View:**
 - 1/2": 43.6° × 33.4° at 8mm
7.7° × 5.7° at 48mm
 - 1/3": 33.4° × 25.4° at 8mm
5.7° × 4.3° at 48mm
 - 1/4": 25.4° × 19.2° at 8mm
4.3° × 3.2° at 48mm
- Min. Object Distance (M.O.D.):**
 - 1.0m - 40" (From Front Vertex)
 - 0.3m - 12" (Focus set to S.N.)
 - Partial eclipsing may occur during zooming when focus is set to S.N. on 1/2" cameras
- Optical Back Focal Distance:** 14.56mm (In Air)
- Operation:**
 - Zoom: Manual
 - Focus: Manual
 - Iris: Manual
- Operation Temperature:** -10 ~ +50°C (+14 ~ 122° F)
- Filter Size:** 46mm P07.5
- Mount:** C-Mount
(Adjustable Lens Postion)
- Size, Approx. Weight:**
 - ø58.0 × 99.2mm, 380g
 - (Approx. ø2.3 × 3.9in., 13.4oz.)



S6X11

11.5~69mm F1.4 – C-Mount

Compatible with 2/3", 1/2", 1/3" & 1/4" Cameras

- Focal Length:** 11.5~69mm
- Max. Relative Aperture:** 1:1.4
- Iris:** F1.4~Close
- Angular Field of View:**
 - 2/3": 41.9° × 32.0° at 11.5mm
7.3° × 5.5° at 69mm
 - 1/2": 31.1° × 23.6° at 11.5mm
5.3° × 4.0° at 69mm
 - 1/3": 23.6° × 17.8° at 11.5mm
4.0° × 3.0° at 69mm
 - 1/4": 17.8° × 13.4° at 11.5mm
3.0° × 2.2° at 69mm
- Min. Object Distance (M.O.D.):**
 - 1.0m - 40" (From Front Vertex)
 - 0.3m - 12" (Focus set to S.N.)
 - Partial eclipsing may occur during zooming when focus is set to S.N. on 2/3" cameras
- Optical Back Focal Distance:** 17.93mm (In Air)
- Operation:**
 - Zoom: Manual
 - Focus: Manual
 - Iris: Manual
- Operation Temperature:** -10 ~ +50°C (+14 ~ 122° F)
- Filter Size:** 46mm P07.5
- Mount:** C-Mount
(Adjustable Lens Postion)
- Size, Approx. Weight:**
 - ø58.0 × 105mm, 395g
 - (Approx. ø2.3 × 4.1in., 13.9oz.)

