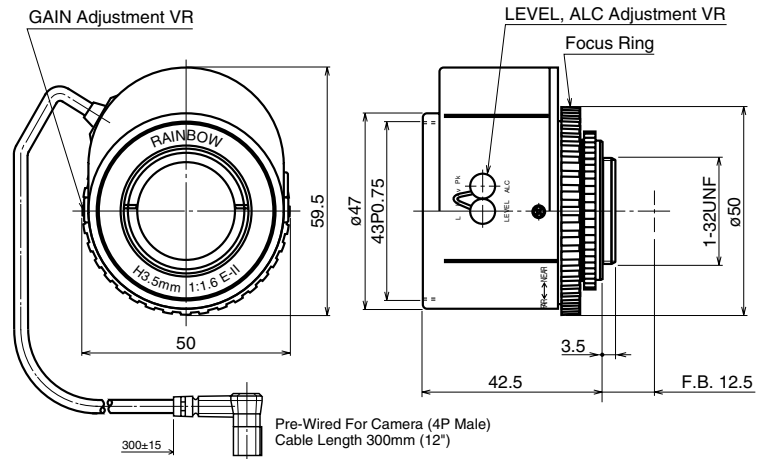


## H35ECS

### 3.5mm F1.6 – CS-Mount

Compatible with 1/2", 1/3" & 1/4" Cameras

- Focal Length:** 3.5mm
- Max. Relative Aperture:** 1:1.6
- Iris:** F1.6~Approx. F88  
With ND Spot Filter
- Angular Field of View:** 1/2": 84.9° × 68.9°  
1/3": 68.9° × 54.4°  
1/4": 68.2° × 51.5°
- Min. Object Distance (M.O.D.):** 0.2m (From Front Vertex)
- Optical Back Focal Distance:** 11.45mm (In Air)
- Operation:** Focus: Manual  
Iris: Auto (DC+8~16V: Fixed Voltage, Max. 40mA) Auto-Close System Speed Within 4 sec.
- Auto-Iris Accuracy:** With Input Video Signal 0.7Vp-p Within ±10% of Mean Value
- Auto-Iris Input Signal:** Composite Video Signal or Video Signal
- Input Impedance:** High Impedance
- Sensitivity Adjustment:** Image Signal Level 0.5~1.5Vp-p
- Operation Temperature:** -10 ~ +50°C (+14 ~ 122° F)
- Filter Size:** 43mm P0.75
- Mount:** CS-Mount, (Adjustable Lens Postion)
- Size, Approx. Weight:** 50 × 59.5 × 42.5mm (w/h/d), 85g (Approx. 2.0 × 2.3 × 1.7in., 3.0 oz.)



Camera Connector Wiring		Pin Signal	
1	3	1	+8-16VDC
2	4	2	N.C.
		3	Video
		4	Ground

VIDEO TYPE LENS

For cameras with standard wiring for Video type lenses (Rainbow, Panasonic, Sanyo, Sony, etc.)

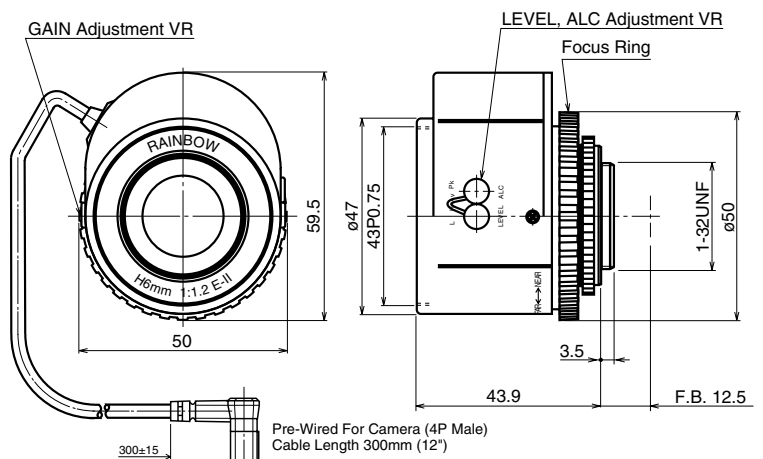
Note: Some brands (incl. Everfocus, Javelin, Watec) use the same 4-pin connector with non-standard wiring. **To avoid camera damage, compare wiring instructions in camera box to this diagram.**

## H6ECS

### 6mm F1.2 – CS-Mount

Compatible with 1/2", 1/3" & 1/4" Cameras

- Focal Length:** 6mm
- Max. Relative Aperture:** 1:1.2
- Iris:** F1.2~Approx. F360  
With ND Spot Filter
- Angular Field of View:** 1/2": 56.1° × 43.6°  
1/3": 43.6° × 33.4°  
1/4": 33.4° × 25.4°
- Min. Object Distance (M.O.D.):** 0.2m (From Front Vertex)
- Optical Back Focal Distance:** 12.12mm (In Air)
- Operation:** Focus: Manual  
Iris: Auto (DC+8~16V: Fixed Voltage, Max. 40mA) Auto-Close System Speed Within 4 sec.
- Auto-Iris Accuracy:** With Input Video Signal 0.7Vp-p Within ±10% of Mean Value
- Auto-Iris Input Signal:** Composite Video Signal or Video Signal
- Input Impedance:** High Impedance
- Sensitivity Adjustment:** Image Signal Level 0.5~1.5Vp-p
- Operation Temperature:** -10 ~ +50°C (+14 ~ 122° F)
- Filter Size:** 43mm P0.75
- Mount:** CS-Mount, (Adjustable Lens Postion)
- Size, Approx. Weight:** 50 × 59.5 × 43.9mm (w/h/d), 85g (Approx. 2.0 × 2.3 × 1.7in., 3.0 oz.)



Camera Connector Wiring		Pin Signal	
1	3	1	+8-16VDC
2	4	2	N.C.
		3	Video
		4	Ground

VIDEO TYPE LENS

For cameras with standard wiring for Video type lenses (Rainbow, Panasonic, Sanyo, Sony, etc.)

Note: Some brands (incl. Everfocus, Javelin, Watec) use the same 4-pin connector with non-standard wiring. **To avoid camera damage, compare wiring instructions in camera box to this diagram.**