

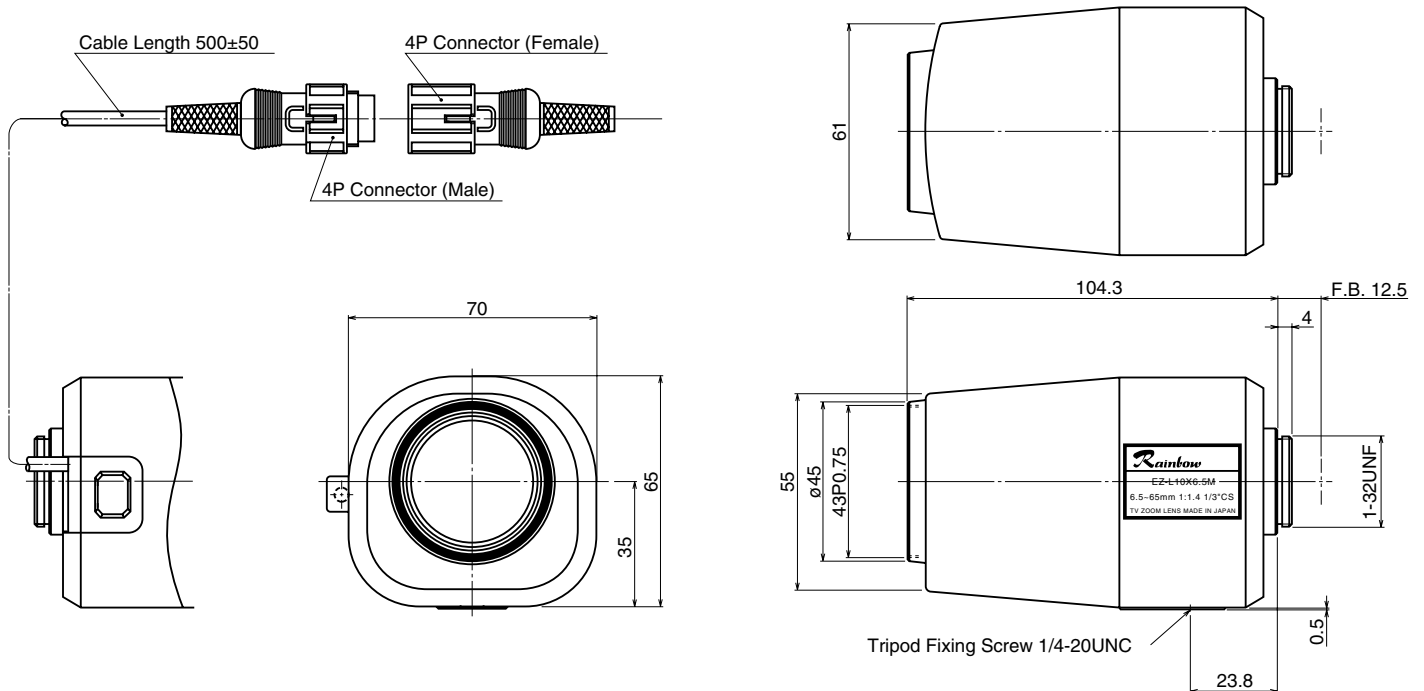
EZ-L10X6.5MCS

6.5~65mm F1.4 – CS-Mount

Compatible with 1/3" Cameras

Focal Length:	6.5~65mm
Max. Relative Aperture:	1:1.4
Iris:	F1.4~Close
Zoom Ratio:	10X
Angular Field of View:	1/3": 40.5° × 31.0° at 6.5mm 4.2° × 3.2° at 65mm
Min. Object Distance (M.O.D.):	1.2m (From Front Vertex)
Optical Back Focal Distance:	9.85mm (In Air)

Operation:	Zoom:	Motorized (DC±4V~12V, Max 40mA) Speed Approx. 6 sec. (at 6.4V)
	Focus:	Motorized (DC±4V~12V, Max 40mA) Speed Approx. 7 sec. (at 6.4V)
	Iris:	Motorized (DC±4V~12V, Max 40mA) Speed Approx. 4 sec. (at 6.4V)
Operation Temperature:	-10 ~ +50°C (+14 ~ 122° F)	
Filter Size:	43mm P0.75	
Mount:	CS-mount (Adjustable Lens Postion)	
Size, Approx. Weight:	70 × 65 × 104.3mm (w/h/d), 285g (Approx. 2.8 × 2.6 × 4.1in., 10.1oz.)	



– Circuit Diagram –

