



WEATHER PROOF HOUSING

IP65

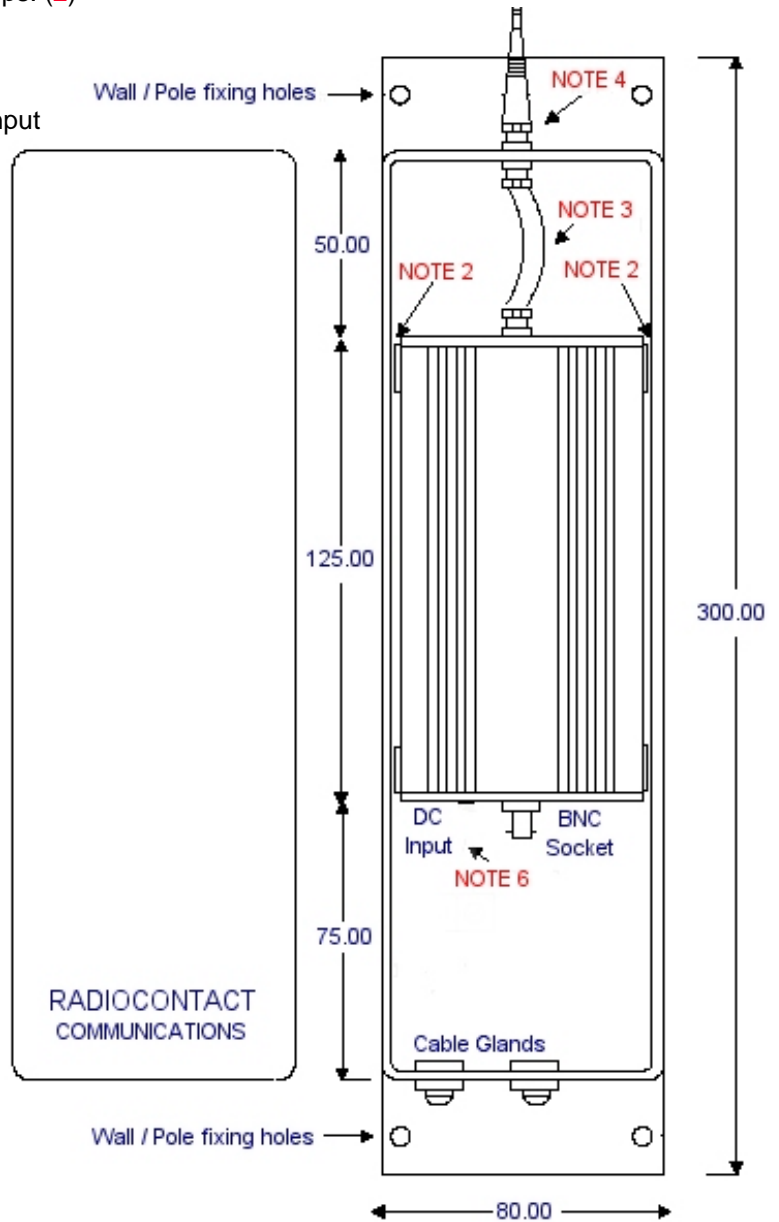
DATA SHEET

CCT/HSG

1. Bench test all equipment.
2. Mount Tx/Rx unit in the plastic retaining clips. (2)
3. Insert the flexible link. (3)
4. Attach antenna to top of the housing.(4)
5. Check PSU is supplying 12 ±5%.
6. Insert DC power flying lead to Tx/Rx DC input observing polarity. (6)
7. Check the Tx & Rx is operating at ground level before mounting at a height.
8. Long power supply cable runs should be screened.
9. Any voltage drops due to long cable lengths should be addressed.
10. Remember, to obtain the best signal you should move the complete housing assembly up and down using a local monitor adjacent to the housing.
11. Be prepared, you require an assistant, portable communications equipment etc.
12. Observe Health & Safety regulations

Important Note

The cable glands, antenna coupling and any other holes must be protected with silicon gel. Failure to do so will allow water ingress that may damage the box and the equipment.



Dimensions: Enclosure - 250 x 80 x 55 mm
 Bracket - 300 x 80 mm
 U Bolts - 50 mm radius

RADIOCONTACT LTD / ADC COMMUNICATIONS DIVISION

37 Montgomery Road Belfast BT6 9HL

Telephone 028 9040 1742 - Fax 028 9040 1746

Email: info@radcon.com - Web: www.radcon.com



Belfast - Canterbury - Dublin

00-2240