

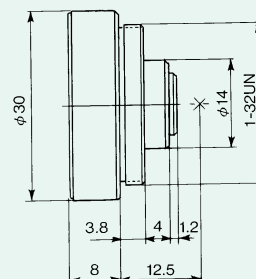
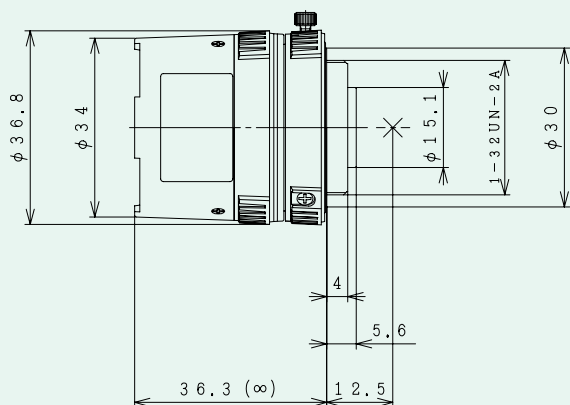
1/3 Format Manual Iris

■ TS212A(C70214)

CS-MOUNT
Unit:mm

■ TS320NX(C91665)

CS-MOUNT
Unit:mm



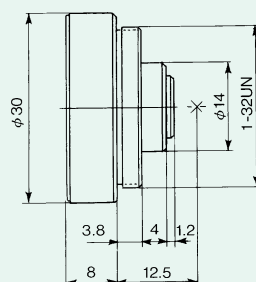
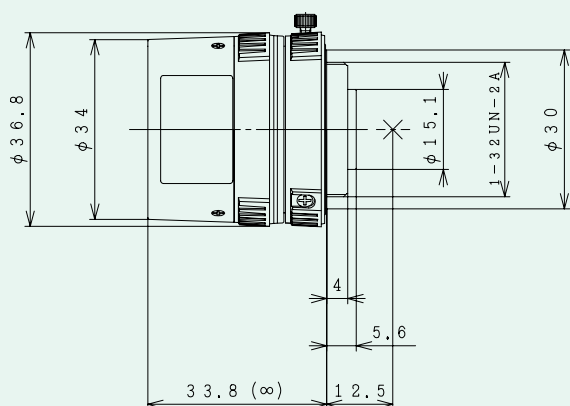
1/3 Format Manual Iris

■ TS412A(C70409)

CS-MOUNT
Unit:mm

■ TS820NX(C91666)

CS-MOUNT
Unit:mm



■ Specifications		TS212A	TS320NX	TS412A	TS820NX
Focal Length		2.8mm	3.6mm	4mm	8mm
Max. Aperture Ratio		1:1.2	1:2.0	1:1.2	1:2.0
Iris Range		F1.2 ~ Close	F2.0	F1.2 ~ Close	F2.0
Operation Method	Iris	Manual	Fixed	Manual	Fixed
	Focus	Manual	Fixed	Manual	Fixed
	Zoom	—	—	—	—
1/4 Format Angle of View	Horizontal	71.54	53.90	49.18	23.90
	Vertical	54.12	43.70	37.36	19.40
1/3 Format Angle of View	Horizontal	94.31	72.00	63.89	31.40
	Vertical	71.54	53.90	49.18	23.90
1/2 Format Angle of View	Horizontal	—	—	—	—
	Vertical	—	—	—	—
Min. Object Distance		0.3m	0.5m	0.2m	1m
Back Focal Length		7.67mm	4.554mm	8.01mm	4.535mm
Flange Back Length		12.5mm	12.5mm	12.5mm	12.5mm
Filter Screw Size		—	—	—	—
Temperature Range		-20°C ~ +50°C	-20°C ~ +50°C	-20°C ~ +50°C	-20°C ~ +50°C
Dimensions		$\phi 36.8 \times 36.3$ mm	$\phi 30 \times 8$ mm	$\phi 36.8 \times 33.8$ mm	$\phi 30 \times 8$ mm
Weight		44g	20g	39g	18g
Remarks			For B/W Camera		For B/W Camera