

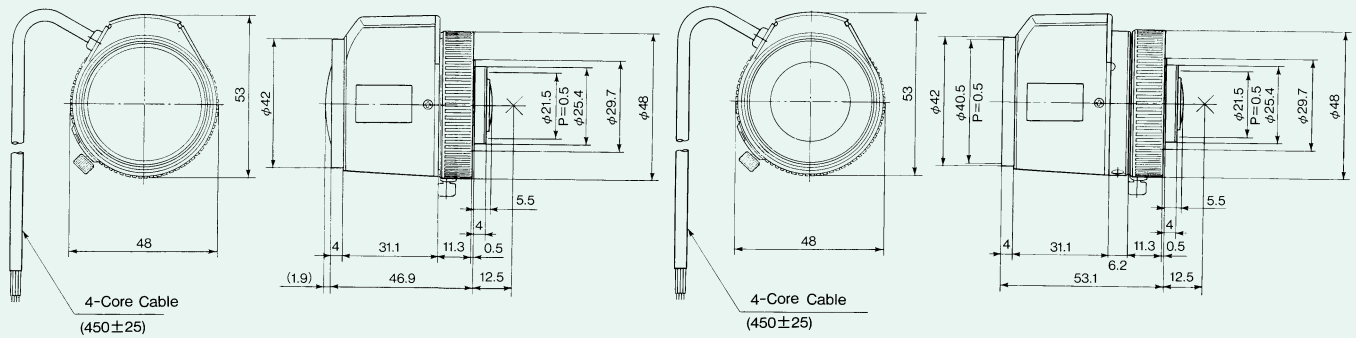
1/3 Format Aspherical, Ultra-High Speed Auto-Iris

■ TS209E-ASP(C70204)

CS-MOUNT
Unit:mm

■ TS407E-ASP(C70405)

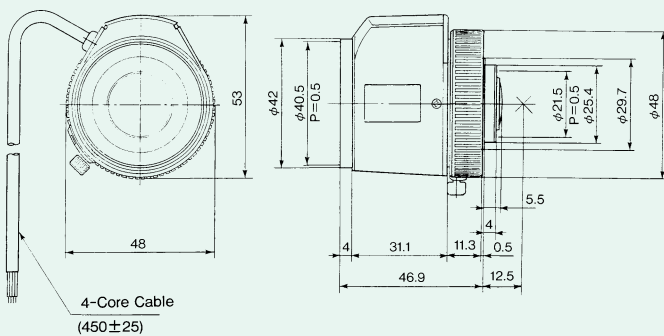
CS-MOUNT
Unit:mm



1/3 Format Aspherical, Ultra-High Speed Auto-Iris

■ TS807E-ASP(C70803)

CS-MOUNT
Unit:mm



■ Specifications		TS209E-ASP	TS407E-ASP	TS807E-ASP	
Focal Length		2.8mm	4mm	8mm	
Max. Aperture Ratio		1:0.95	1:0.75	1:0.75	
Iris Range		F0.95 ~ 180	F0.75 ~ 180	F0.75 ~ 180	
Operation Method	Iris	Auto	Auto	Auto	
	Focus	Manual	Manual	Manual	
	Zoom	—	—	—	
1/4 Format Angle of View	Horizontal	72.69	48.39	25.07	
	Vertical	54.13	36.86	18.81	
1/3 Format Angle of View	Horizontal	98.24	62.55	33.31	
	Vertical	72.69	48.39	25.07	
1/2 Format Angle of View	Horizontal	—	—	—	
	Vertical	—	—	—	
Min. Object Distance		0.3m	0.3m	0.3m	
Back Focal Length		7.51mm	7.51mm	7.98mm	
Flange Back Length		12.5mm	12.5mm	12.5mm	
Filter Screw Size		—	φ 40.5mm P=0.5mm	φ 40.5mm P=0.5mm	
Temperature Range		-20°C ~ +50°C	-20°C ~ +50°C	-20°C ~ +50°C	
Dimensions		48×53×46.9mm	48×53×53.1mm	48×53×46.9mm	
Weight		140g	145g	135g	
Remarks		DC Iris	DC Iris	DC Iris	