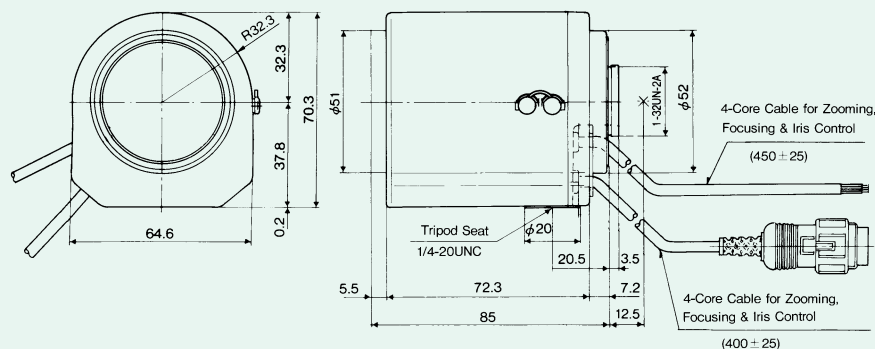


## 1/3 Format Motorized Zoom (Pre-set/Auto-Iris)

■ TS10ZME-P(C70501)

CS-MOUNT  
Unit:mm



### ■ Specification

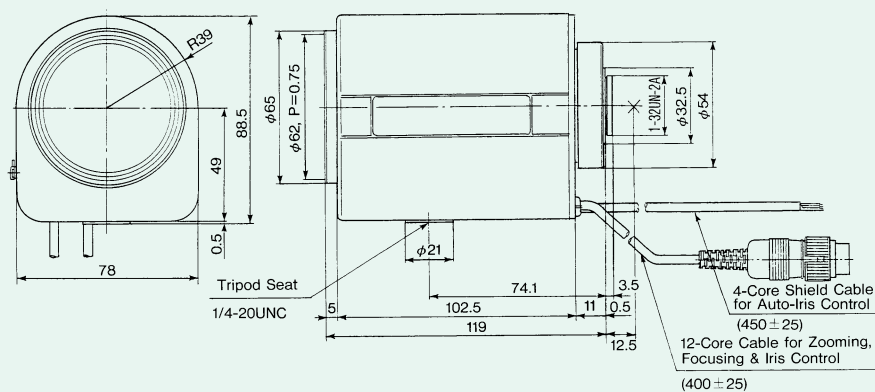
Focal Length	5.8~58mm	
Max. Aperture Ratio	1:1.2~1.7	
Iris Range	F1.2~360	
Operation Method	Iris	Auto
	Focus	Motorized
	Zoom	Motorized
1/4 Format Angle of View	Horizontal	33.77~3.62
	Vertical	25.61~2.73
1/3 Format Angle of View	Horizontal	44.07~4.78
	Vertical	33.77~3.62
1/2 Format Angle of View	Horizontal	-----
	Vertical	-----
Min. Object Distance	1.8m	
Back Focal Length	8.99mm	
Flange Back Length	12.5mm	
Filter Size	φ 49.0mm P=0.75mm	
Applicable Temp. Range	-10°C~+50°C	
Dimensions	64.6×70.3×85mm	
Weight	430g	
Metering Method	Continuously Adj.	
Supply Vol. & Current	DC8~15V Max. 40mA	
Input Signal	VS or V Signal	
Iris Accuracy	±20% at V Signal Level	
Sensitivity Adj.	0.5~1.0Vp at V Signal Level	
Input Impedance	High Impedance	
Response Speed	Approx. 1.5 sec.	
Remarks	Video & DC Iris	

		Focus	Zoom
Control Voltage & Current	Type1	DC6V Max. 40mA / Motor	DC6V Max. 40mA / Motor
	Type2	DC±12V Max. 40mA / Motor	DC±12V Max. 40mA / Motor
	Type3	DC±6V Max. 40mA / Motor	DC±6V Max. 40mA / Motor
	Type5	DC12V Max. 35mA / Motor	DC12V Max. 35mA / Motor
	Operation Speed	Type1	Approx. 8.0 sec.
Type2		Approx. 8.0 sec.	Approx. 6.5 sec.
Type3		Approx. 8.0 sec.	Approx. 6.5 sec.
Type5		Approx. 8.0 sec.	Approx. 6.5 sec.

## 1/3 Format Motorized Zoom (Pre-set/Auto-Iris)

■ TS15ZME-P(C70604)

CS-MOUNT  
Unit:mm



### ■ Specification

Focal Length	6~90mm	
Max. Aperture Ratio	1:1.2~1.8	
Iris Range	F1.2~720	
Operation Method	Iris	Auto
	Focus	Motorized
	Zoom	Motorized
1/4 Format Angle of View	Horizontal	32.96~2.33
	Vertical	24.86~1.76
1/3 Format Angle of View	Horizontal	43.48~3.08
	Vertical	32.96~2.33
1/2 Format Angle of View	Horizontal	-----
	Vertical	-----
Min. Object Distance	1.5m	
Back Focal Length	10.70mm	
Flange Back Length	12.5mm	
Filter Size	φ 62mm P=0.75mm	
Applicable Temp. Range	-10°C~+50°C	
Dimensions	78×88.5×119mm	
Weight	770g	
Metering Method	Continuously Adj.	
Supply Vol. & Current	DC8~15V Max. 40mA	
Input Signal	VS or V Signal	
Iris Accuracy	±20% at V Signal Level	
Sensitivity Adj.	0.5~1.0Vp at V Signal Level	
Input Impedance	High Impedance	
Response Speed	Approx. 1.5 sec.	
Remarks	Video & DC Iris	

		Focus	Zoom
Control Voltage & Current	Type1	DC6V Max. 40mA / Motor	DC6V Max. 40mA / Motor
	Type2	DC±12V Max. 35mA / Motor	DC±12V Max. 35mA / Motor
	Type3	DC±6V Max. 40mA / Motor	DC±6V Max. 40mA / Motor
	Type5	DC12V Max. 30mA / Motor	DC12V Max. 30mA / Motor
	Operation Speed	Type1	Approx. 8.0 sec.
Type2		Approx. 8.0 sec.	Approx. 6 sec.
Type3		Approx. 8.0 sec.	Approx. 6 sec.
Type5		Approx. 8.0 sec.	Approx. 6 sec.