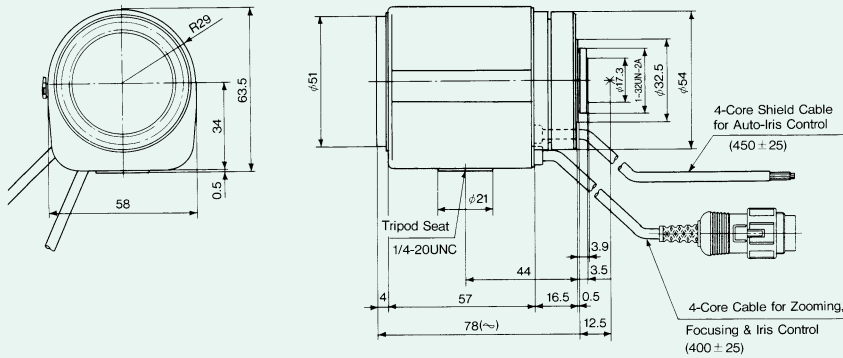


## 1/3 Format Motorized Zoom (Auto-Iris)

■ TS6ZME(C70600)

CS-MOUNT  
Unit:mm



### ■ Specification

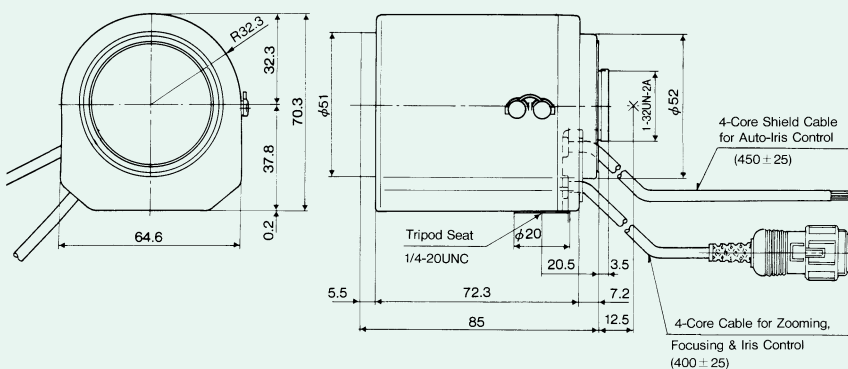
Focal Length	6.3 ~ 38mm	
Max. Aperture Ratio	1:1.2	
Iris Range	F1.2 ~ 360	
Operation Method	Iris	Auto
	Focus	Motorized
	Zoom	Motorized
1/4 Format Angle of View	Horizontal	31.26 ~ 5.59
	Vertical	23.60 ~ 4.20
1/3 Format Angle of View	Horizontal	41.12 ~ 7.43
	Vertical	31.26 ~ 5.59
1/2 Format Angle of View	Horizontal	—
1/2 Format Angle of View	Vertical	—
Min. Object Distance	1.8m	
Back Focal Length	9.23mm	
Flange Back Length	12.5mm	
Filter Size	φ 49.0mm P=0.75mm	
Applicable Temp. Range	-10°C ~ +50°C	
Dimensions	58×63.5×78mm	
Weight	410g	
Metering Method	Continuously Adj.	
Supply Vol. & Current	DC8 ~ 15V Max. 35mA	
Input Signal	VS or V Signal	
Iris Accuracy	±20% at V Signal Level	
Sensitivity Adj.	0.5 ~ 1.0Vp at V Signal Level	
Input Impedance	High Impedance	
Response Speed	Approx. 1.5 sec.	
Remarks	Video & DC Iris	

		Focus	Zoom
Control Voltage & Current	Type1	DC6V Max. 50mA / Motor	DC6V Max. 50mA / Motor
	Type2	DC±12V Max. 35mA / Motor	DC±12V Max. 35mA / Motor
	Type3	DC±6V Max. 50mA / Motor	DC±6V Max. 50mA / Motor
	Type5	DC12V Max. 35mA / Motor	DC12V Max. 35mA / Motor
	Operation Speed	Type1	Approx. 5.0 sec.
Type2		Approx. 5.0 sec.	Approx. 5.0 sec.
Type3		Approx. 5.0 sec.	Approx. 5.0 sec.
Type5		Approx. 5.0 sec.	Approx. 5.0 sec.

## 1/3 Format Motorized Zoom (Auto-Iris)

■ TS10ZME(C70500)

CS-MOUNT  
Unit:mm



### ■ Specification

Focal Length	5.8 ~ 58mm	
Max. Aperture Ratio	1:1.2 ~ 1.7	
Iris Range	F1.2 ~ 360	
Operation Method	Iris	Auto
	Focus	Motorized
	Zoom	Motorized
1/4 Format Angle of View	Horizontal	33.77 ~ 3.62
	Vertical	25.61 ~ 2.73
1/3 Format Angle of View	Horizontal	44.07 ~ 4.78
	Vertical	33.77 ~ 3.62
1/2 Format Angle of View	Horizontal	—
1/2 Format Angle of View	Vertical	—
Min. Object Distance	1.8m	
Back Focal Length	8.99mm	
Flange Back Length	12.5mm	
Filter Size	φ 49.0mm P=0.75mm	
Applicable Temp. Range	-10°C ~ +50°C	
Dimensions	φ 64.6×70.3×85mm	
Weight	380g	
Metering Method	Continuously Adj.	
Supply Vol. & Current	DC8 ~ 15V Max. 40mA	
Input Signal	VS or V Signal	
Iris Accuracy	±20% at V Signal Level	
Sensitivity Adj.	0.5 ~ 1.0Vp at V Signal Level	
Input Impedance	High Impedance	
Response Speed	Approx. 1.5 sec.	
Remarks	Video & DC Iris	

		Focus	Zoom
Control Voltage & Current	Type1	DC6V Max. 50mA / Motor	DC6V Max. 50mA / Motor
	Type2	DC±12V Max. 40mA / Motor	DC±12V Max. 40mA / Motor
	Type3	DC±6V Max. 50mA / Motor	DC±6V Max. 50mA / Motor
	Type5	DC12V Max. 40mA / Motor	DC12V Max. 40mA / Motor
	Operation Speed	Type1	Approx. 8.0 sec.
Type2		Approx. 8.0 sec.	Approx. 6.5 sec.
Type3		Approx. 8.0 sec.	Approx. 6.5 sec.
Type5		Approx. 8.0 sec.	Approx. 6.5 sec.