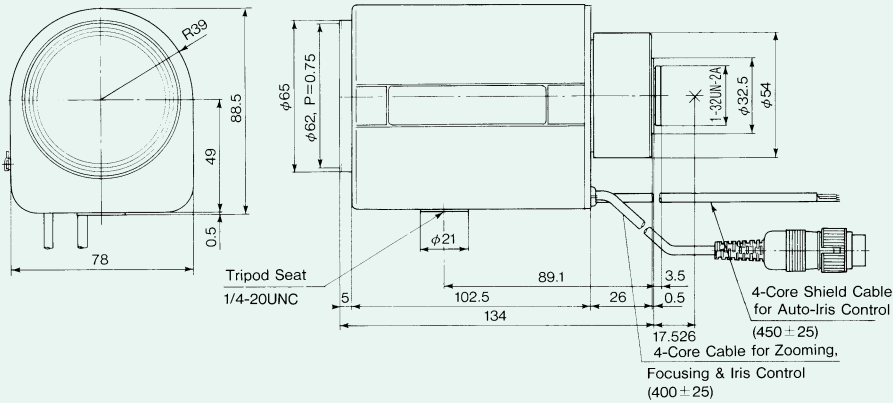


1/2 Format Motorized Zoom (Auto-Iris)

H15ZME(C60817)

C-MOUNT
Unit:mm



Specification

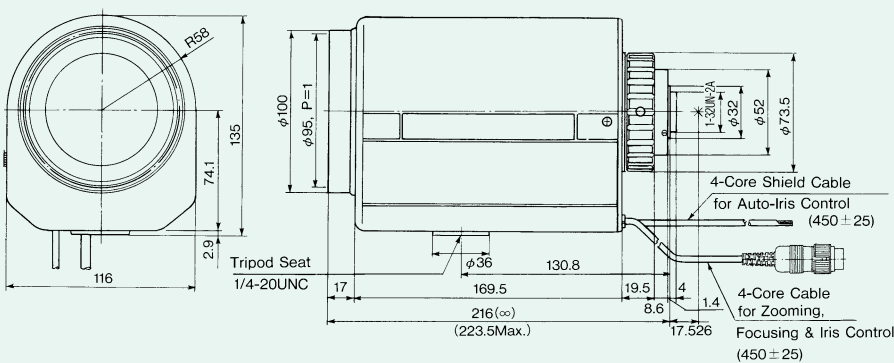
Focal Length	8~120mm	
Max. Aperture Ratio	1:1.6~2.4	
Iris Range	F1.6~1000	
Operation Method	Iris	Auto
	Focus	Motorized
	Zoom	Motorized
1/4 Format Angle of View	Horizontal	24.76~1.76
	Vertical	18.62~1.32
1/3 Format Angle of View	Horizontal	32.85~2.34
	Vertical	24.76~1.76
1/2 Format Angle of View	Horizontal	43.37~3.09
	Vertical	32.85~2.34
Min. Object Distance	1.5m	
Back Focal Length	14.05mm	
Flange Back Length	17.526mm	
Filter Size	φ 62.0mm P=0.75mm	
Applicable Temp. Range	-10°C~+50°C	
Dimensions	78×88.5×134mm	
Weight	800g	
Metering Method	Continuously Adj.	
Supply Vol. & Current	DC8~15V Max. 40mA	
Input Signal	VS or V Signal	
Iris Accuracy	±20% at V Signal Level	
Sensitivity Adj.	0.5~1.0Vp at V Signal Level	
Input Impedance	High Impedance	
Response Speed	Approx. 1.5 sec.	
Remarks	Video Iris	

		Focus	Zoom
Control Voltage & Current	Type1	DC6V Max. 50mA / Motor	DC6V Max. 50mA / Motor
	Type2	DC±12V Max. 35mA / Motor	DC±12V Max. 35mA / Motor
	Type3	DC±6V Max. 50mA / Motor	DC±6V Max. 50mA / Motor
	Type5	DC12V Max. 35mA / Motor	DC12V Max. 35mA / Motor
	Operation Speed	Type1	Approx. 8 sec.
Type2		Approx. 8 sec.	Approx. 6.0 sec.
Type3		Approx. 8 sec.	Approx. 6.0 sec.
Type5		Approx. 8 sec.	Approx. 6.0 sec.

1/2 Format Motorized Zoom (Auto-Iris)

H20ZME(C61221)

C-MOUNT
Unit:mm



Specification

Focal Length	12~240mm	
Max. Aperture Ratio	1:1.6~2.8	
Iris Range	F1.6~720	
Operation Method	Iris	Auto
	Focus	Motorized
	Zoom	Motorized
1/4 Format Angle of View	Horizontal	17.17~0.88
	Vertical	12.86~0.66
1/3 Format Angle of View	Horizontal	22.95~1.17
	Vertical	17.17~0.88
1/2 Format Angle of View	Horizontal	30.78~1.56
	Vertical	22.95~1.17
Min. Object Distance	2.8m	
Back Focal Length	19.82mm	
Flange Back Length	17.526mm	
Filter Size	φ 95mm P=1.0mm	
Applicable Temp. Range	-10°C~+50°C	
Dimensions	116×135×216mm	
Weight	2590g	
Metering Method	Continuously Adj.	
Supply Vol. & Current	DC8~15V Max. 50mA	
Input Signal	VS or V Signal	
Iris Accuracy	±20% at V Signal Level	
Sensitivity Adj.	0.5~1.0Vp at V Signal Level	
Input Impedance	High Impedance	
Response Speed	Approx. 1.5 sec.	
Remarks	Video Iris	

		Focus	Zoom
Control Voltage & Current	Type1	DC6V Max. 120mA / Motor	DC6V Max. 120mA / Motor
	Type2	DC±12V Max. 70mA / Motor	DC±12V Max. 70mA / Motor
	Type3	DC±6V Max. 120mA / Motor	DC±6V Max. 120mA / Motor
	Type5	DC12V Max. 70mA / Motor	DC12V Max. 70mA / Motor
	Operation Speed	Type1	Approx. 10 sec.
Type2		Approx. 10 sec.	Approx. 8 sec.
Type3		Approx. 10 sec.	Approx. 8 sec.
Type5		Approx. 10 sec.	Approx. 8 sec.