

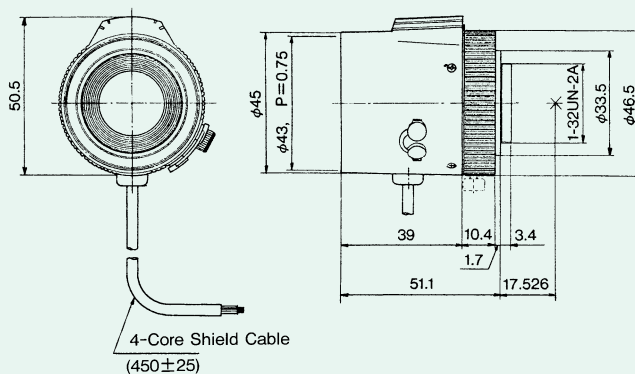
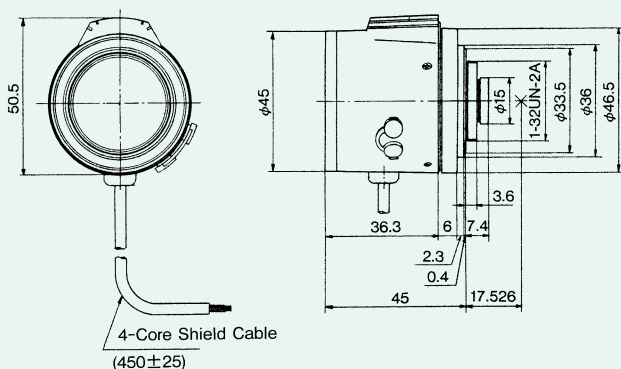
1/2 Format Manual Override

H416ER(C60404)

C-MOUNT
Unit:mm

H612ER(C60624)

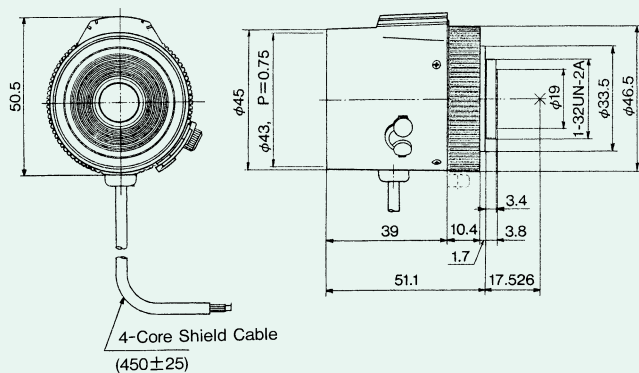
C-MOUNT
Unit:mm



1/2 Format Manual Override

H1212ER(C61219)

C-MOUNT
Unit:mm



■ Specifications		H416ER	H612ER	H1212ER	
Focal Length		4.2mm	6mm	12mm	
Max. Aperture Ratio		1:1.6	1:1.2	1:1.2	
Iris Range		F1.6 ~ 360	F1.2 ~ 360	F1.2 ~ 360	
Operation Method	Iris	Remote & Auto	Remote & Auto	Remote & Auto	
	Focus	Fixed	Manual	Manual	
	Zoom	—	—	—	
1/4 Format Angle of View	Horizontal	47.87	32.97	16.93	
	Vertical	35.76	24.84	12.70	
1/3 Format Angle of View	Horizontal	64.27	43.55	22.60	
	Vertical	47.87	32.97	16.93	
1/2 Format Angle of View	Horizontal	86.77	56.93	30.18	
	Vertical	64.27	43.55	22.60	
Min. Object Distance		0.2m	0.2m	0.3m	
Back Focal Length		10.42mm	14.31mm	13.87mm	
Flange Back Length		17.526mm	17.526mm	17.526mm	
Filter Screw Size		—	$\phi 43.0\text{mm } P=0.75\text{mm}$	$\phi 43.0\text{mm } P=0.75\text{mm}$	
Temperature Range		-20°C ~ +50°C	-20°C ~ +50°C	-20°C ~ +50°C	
Dimensions		46.5 × 50.5 × 45mm	46.5 × 50.5 × 51.1mm	46.5 × 50.5 × 51.5mm	
Weight		135g	140g	140g	
Remarks					