

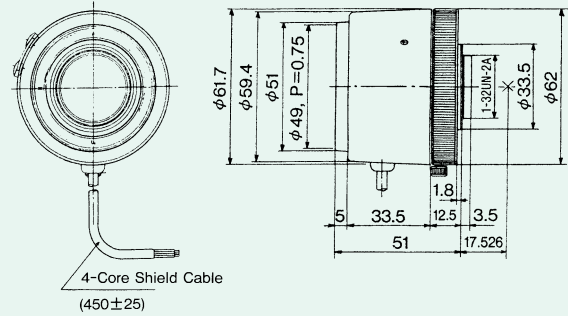
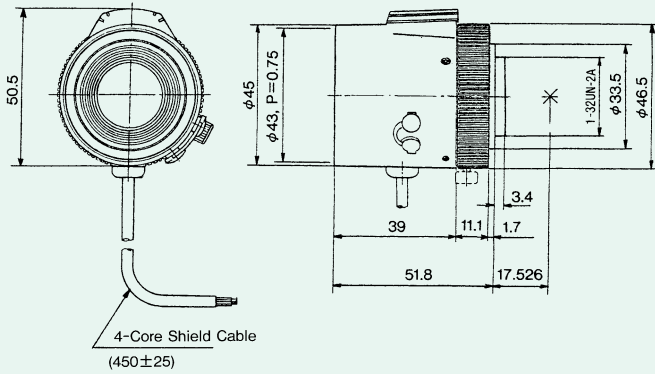
2/3, 1 Format Manual Override

B2514ER(C22526)

C-MOUNT
Unit:mm

B5018ER(C25017)

C-MOUNT
Unit:mm



■Specifications		B2514ER	B5018ER		
Focal Length		25mm	50mm		
Max. Aperture Ratio		1:1.4	1:1.8		
Iris Range		F1.4~360	F1.8~360		
Operation Method	Iris	Remote & Auto	Remote & Auto		
	Focus	Manual	Manual		
	Zoom				
1/4 Format Angle of View	Horizontal	8.23	4.13		
	Vertical	6.17	3.10		
1/3 Format Angle of View	Horizontal	10.97	5.50		
	Vertical	8.23	4.13		
1/2 Format Angle of View	Horizontal	14.62	7.32		
	Vertical	10.97	5.50		
Min. Object Distance		0.9m	1m		
Back Focal Length		14.98mm	31.7mm		
Flange Back Length		17.526mm	17.526mm		
Filter Screw Size		φ 43.0mm P=0.75mm	φ 49.0mm P=0.75mm		
Temperature Range		-20°C~+50°C	-20°C~+50°C		
Dimensions		46.5×50.5×51.8mm	φ 62×51mm		
Weight		140g	210g		
Remarks					